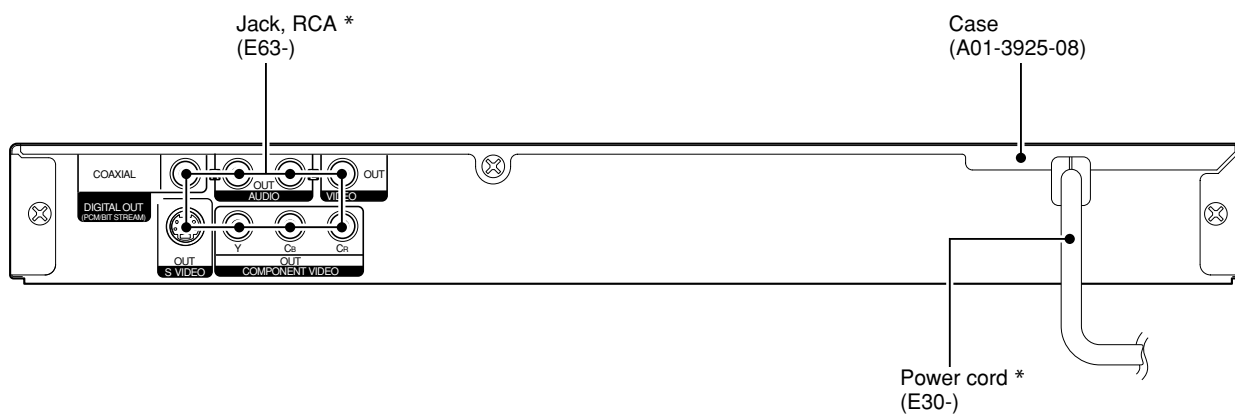
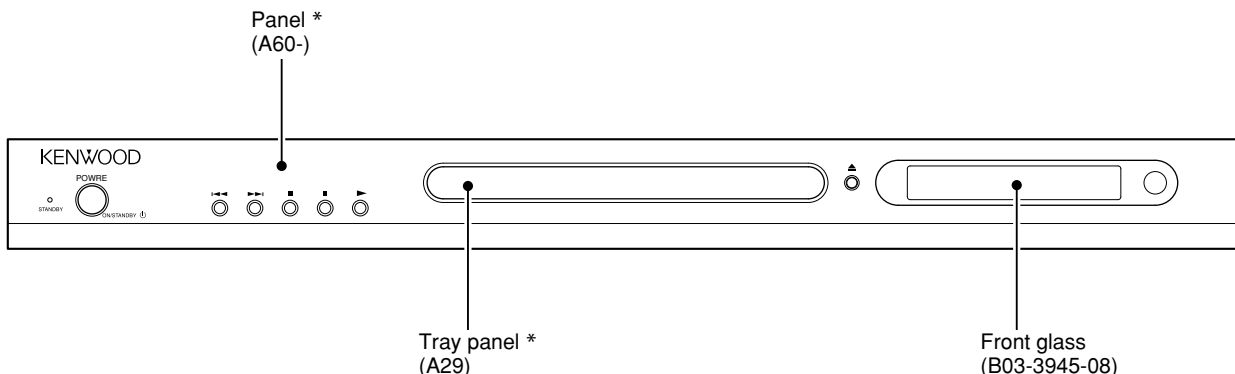


# DVF-3080-S/8100

## SERVICE MANUAL



**\* Refer to parts list on page 31.**

In compliance with Federal Regulations, following are reproduction of labels on, or inside the product relating to laser product safety.

**Caution :** No connection of ground line if disassemble the unit. Please connect the ground line on rear panel, PCBs, Chassis and some others.

KENWOOD Corp. certifies this equipment conforms to DHHS Regulations No.21 CFR 1040. 10, Chapter 1, subchapter J.  
**DANGER : Laser radiation when open and interlock defeated. AVOID DIRECT EXPOSURE TO BEAM.**



# DVF-3080-S/8100

## CONTENTS / ACCESSORIES / CAUTIONS

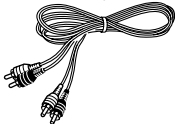
### CONTENTS

|  |    |                             |            |
|--|----|-----------------------------|------------|
| CONTENTS / ACCESSORIES / CAUTIONS..... | 2  | PC BOARD .....              | 19         |
| DISASSEMBLY FOR REPAIR.....            | 3  | CIRCUIT VOLTAGE CHART ..... | 21         |
| BLOCK DIAGRAM .....                    | 4  | SCHEMATIC DIAGRAM .....     | 23         |
| DECK MECHANISM .....                   | 7  | EXPLODED VIEW .....         | 30         |
| ELECTRICAL TROUBLESHOOTING GUIDE ..... | 11 | PARTS LIST.....             | 31         |
| WAVEFORMS.....                         | 15 | SPECIFICATIONS.....         | BACK COVER |

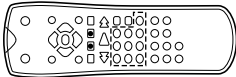
### ACCESSORIES

Please confirm that the following accessories are present.

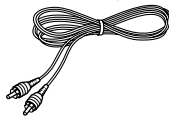
Audio cord (Red, White) ...(1)  
(E30-7334-08) : K,P,Y  
(E30-7335-08) : E,X



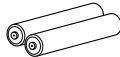
Remote control unit ...(1)  
(A70-1660-08)



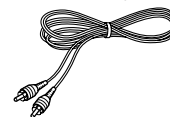
Video cable (Yellow) ...(1)  
(E30-7332-08) : K,P,Y  
(E30-7333-08) : E,X



Batteries (R03/"AAA" -size) ...(2)



Coaxial cable (Black) ...(1)  
(E30-7336-08) : E,X  
(E30-7337-08) : K,P,Y



### CAUTIONS

#### Operation to reset

The microprocessor may fall into malfunction (impossibility to operate erroneous display, etc.) when the power cord is unplugged while power is ON or due to an external factor.  
In this case, switch off the power, wait for several seconds, and then switch the power on again.

#### Note related to transportation and movement

Before transporting or moving this unit, carry out the following operations.

1. Set the **POWER ON/OFF** switch to the **ON** without loading a disc.
2. Wait a few seconds and verify that the display shown appears.

**"NO DISC"**

3. Set the **POWER ON/OFF** switch to OFF.

#### Caution on condensation

Condensation (of dew) may occur inside the unit when there is a great difference in temperature between this unit and the outside. This unit may not function properly if condensation occurs. In this case, leave the unit for a few hours and restart the operation after the condensation has dried up.

Be specially cautious against condensation in the following circumstances:

When this unit is carried from one place to another across a large difference in temperature, when the humidity in the room where this unit is installed increases, etc.

#### The marking of products using lasers (For countries other than U.S.A. and U.S.-Military)

**CLASS 1  
LASER PRODUCT**

The marking this product has been classified as Class 1. It means that there is no danger of hazardous radiation outside the product.  
Location: Back panel

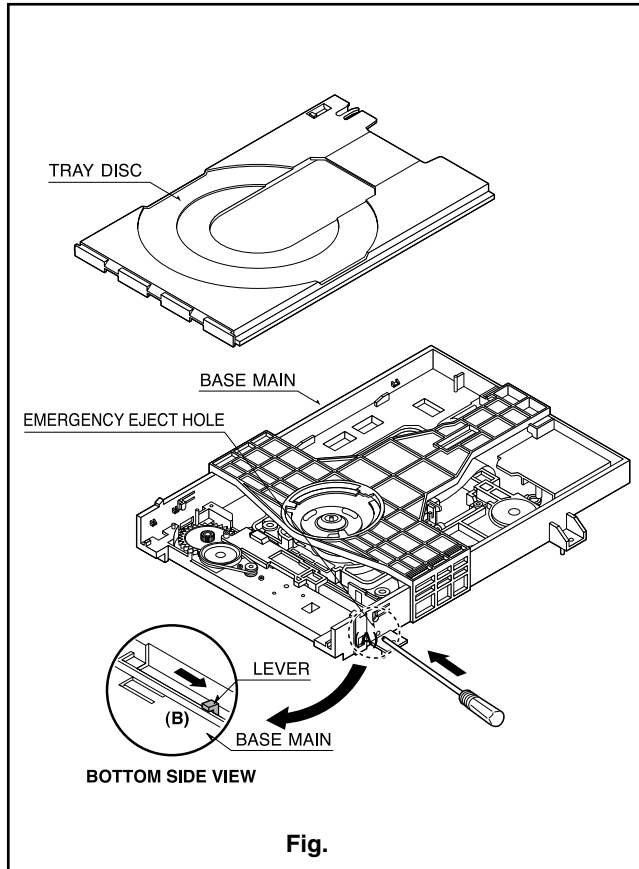
Manufactured under license from Dolby Laboratories.  
"Dolby" and the double-D symbol are trademarks of Dolby Laboratories.

"DTS" and "DTS Digital Out" are registered trademarks of Digital Theater Systems, Inc.



# DVF-3080-S/8100

## DISASSEMBLY FOR REPAIR



- 1) Insert and push a Driver in the emergency eject hole(A) at the right side, or put the Driver on the Lever(B) of the Gear Emergency and pull the Lever(B) in direction of arrow so that the Tray Disc is ejected about 15~20mm.
- 2) Pull the Tray Disc until it is separated from the Base Main completely.

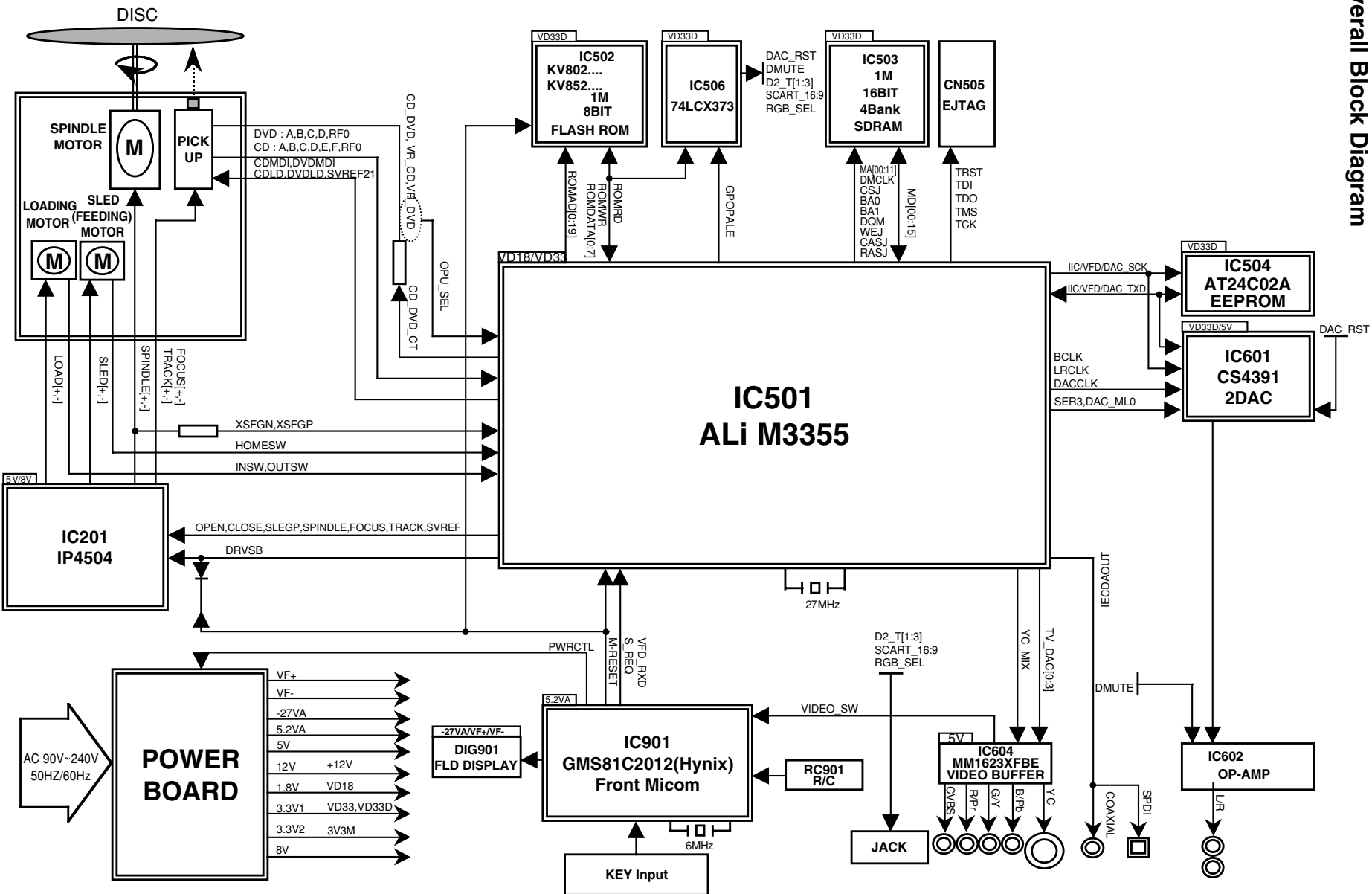
### How to Reset Parental Lock.

1. Connect the TV set to DVF-3080.
2. Push the power switch of DVF-3080 to be on.
3. Check the display of DVF-3080 shown "NO DISC".
4. Push the "SETUP" key of remote control and TV has "set up menu"
5. Select the "16:9" on TV.
6. Push #key 1 3 9 7 1 3 9 and ENTER.  
Push #key again if mistype.
7. Push the power switch of DVF-3080 to be off.

# DVF-3080-S/8100

## BLOCK DIAGRAM

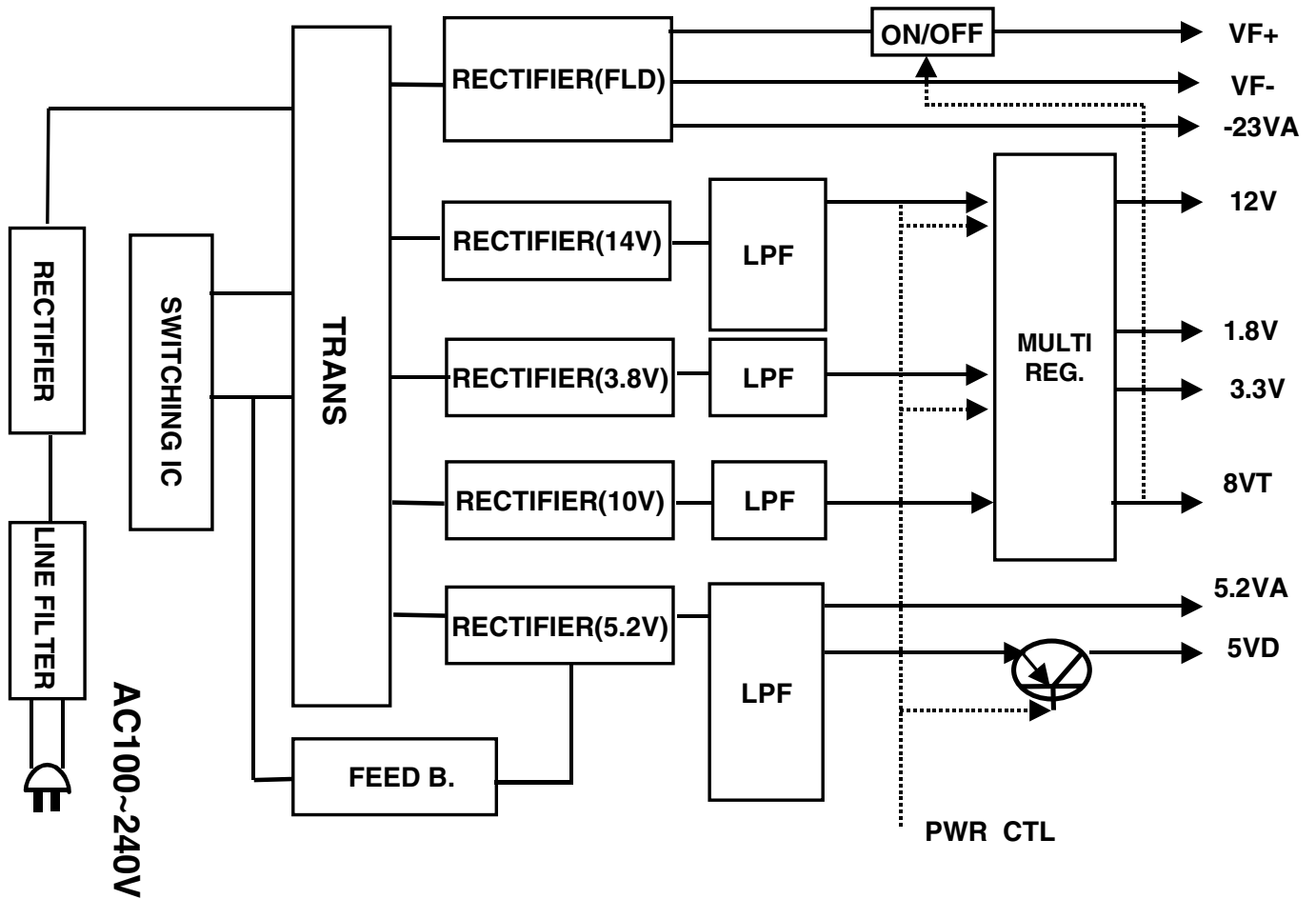
### 1. Overall Block Diagram



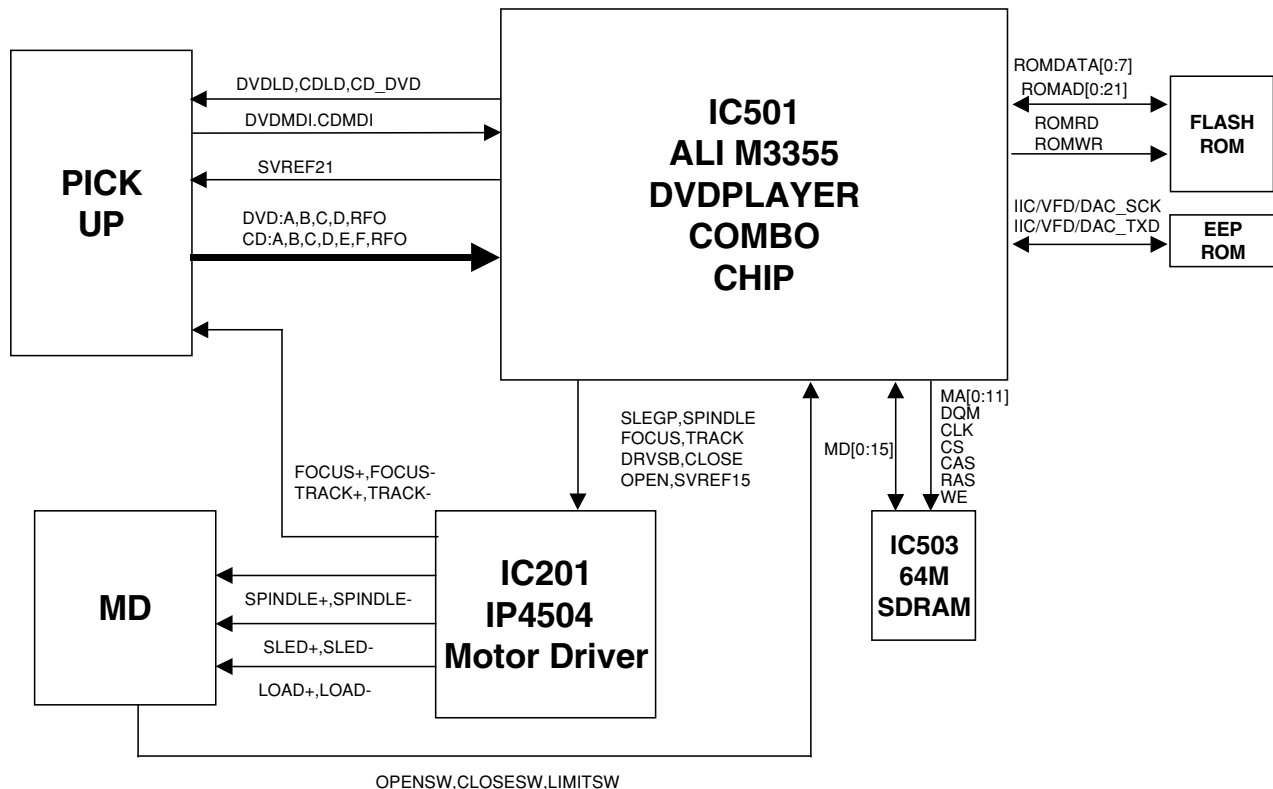
# DVF-3080-S/8100

## BLOCK DIAGRAM

### 2. Power(SMPS) Block Diagram



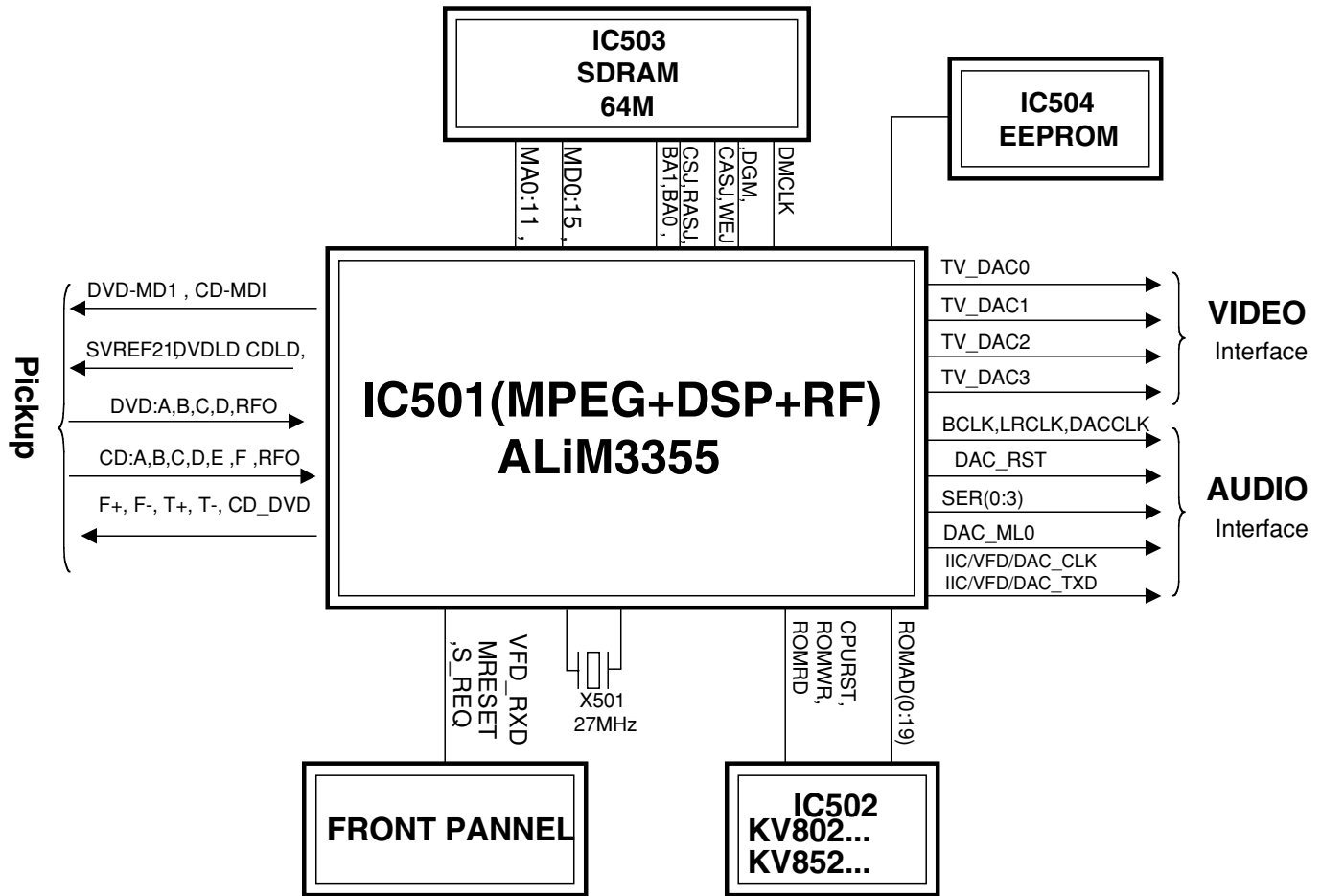
### 3. SERVO Block Diagram



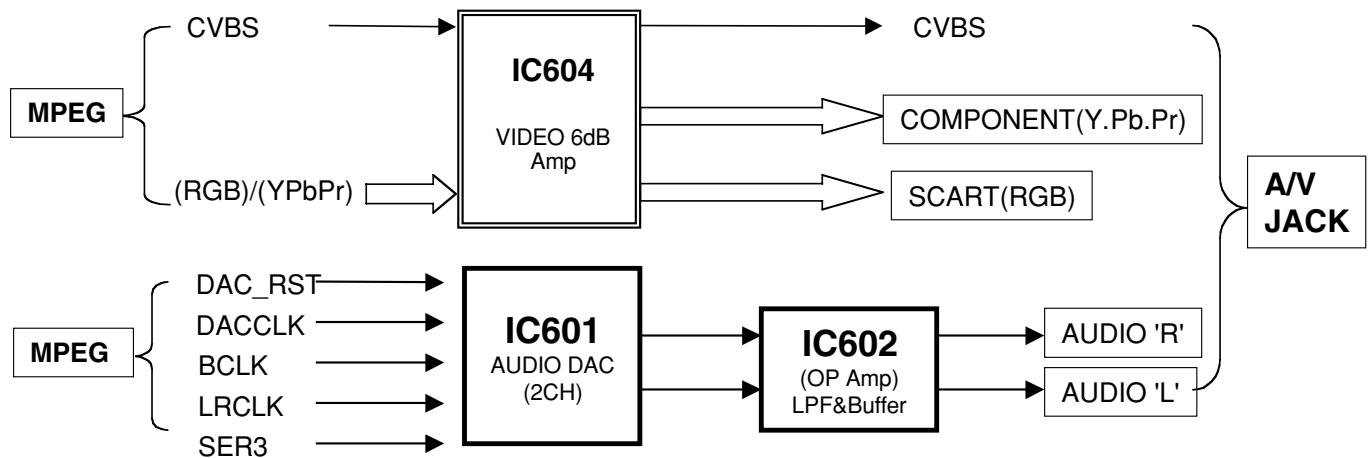
# DVF-3080-S/8100

## BLOCK DIAGRAM

### 4. MPEG & MEMORY Block Diagram



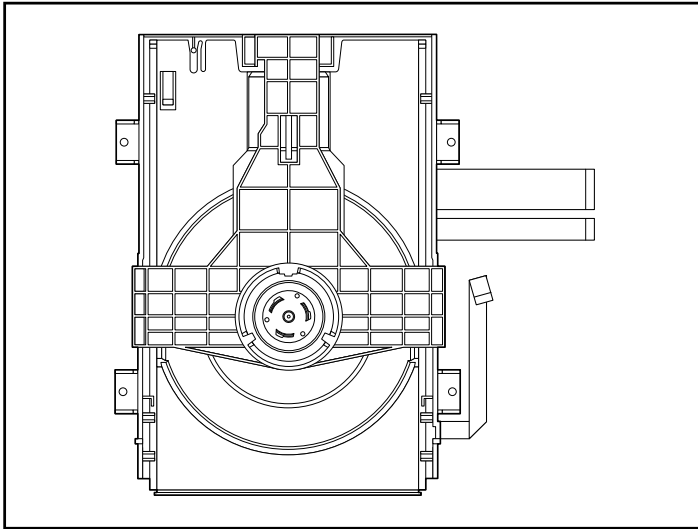
### 5. VIDEO & AUDIO Block Diagram



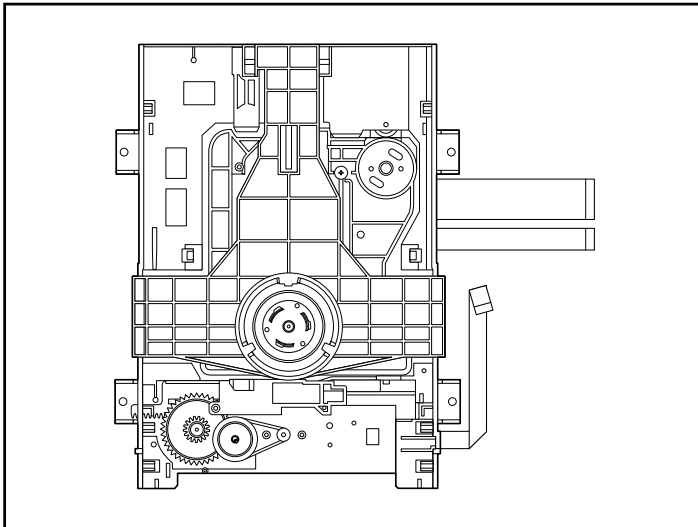
# DVF-3080-S/8100

## DECK MECHANISM PARTS LOCATION

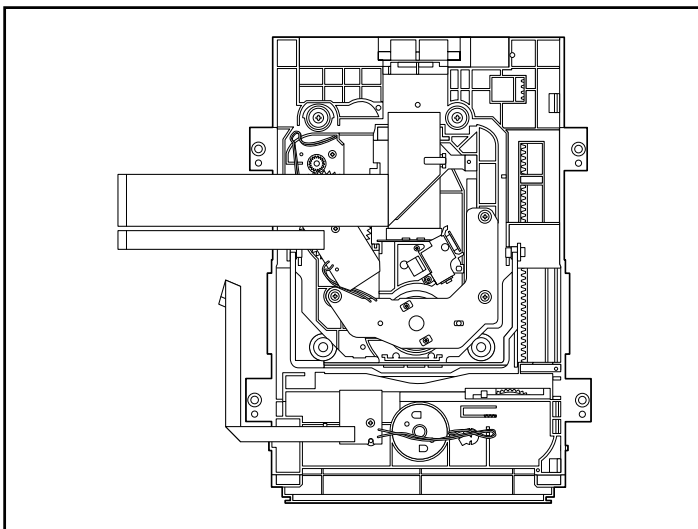
### • Top View (With Tray)



### • Top View (Without Tray)



### • Bottom View



| Procedure                             |    | Parts                     | Fixing Type                                | Disassembly | Figure |
|---------------------------------------|----|---------------------------|--|-------------|--------|
| Starting No.                          |    |                           |  |             |        |
|                                       | 1  | Main Base                 |  |             | 4-1    |
| 1                                     | 2  | Clamp Assembly<br>Disc    |  |             | 4-1    |
| 1, 2                                  | 3  | Plate Clamp               |  |             | 4-1    |
| 1, 2, 3                               | 4  | Magnet Clamp              |  |             | 4-1    |
| 1, 2, 3, 4                            | 5  | Clamp Upper               |  |             | 4-1    |
| 1                                     | 6  | Tray Disc                 |  |             | 4-2    |
| 1, 6                                  | 7  | Base Assembly Sled        |  |             | 4-3    |
| 1, 2, 6                               | 8  | Gear Feed                 | 4 Screws,<br>1 Connector<br>1 Locking Tabs |             | 4-3    |
| 1, 2, 6, 8                            | 9  | Gear<br>Middle            |  |             | 4-3    |
| 1, 2, 6, 8,<br>9                      | 10 | Gear Rack                 | 1 Screw                                    |             | 4-3    |
| 1, 2, 7                               | 11 | Rubber Rear               |  |             | 4-3    |
| 1, 2, 7                               | 12 | Frame Assembly<br>Up/Down | 1 Screw                                    | Bottom      | 4-4    |
| 1, 2                                  | 13 | Belt Loading              | 1 Locking Tab                              |             | 4-4    |
| 1, 2, 13                              | 14 | Gear Pulley               |  |             | 4-4    |
| 1, 2, 13, 14                          | 15 | Gear Loading              | 1 Locking Tab                              |             | 4-4    |
| 1, 2, 7, 12,                          | 16 | Guide Up/Down             |  |             | 4-4    |
| 13, 14<br>1, 2, 13                    | 17 | PWB Assembly<br>Loading   | 1 Locking Tab<br>1 Hook<br>2Screw          | Bottom      | 4-4    |
| 1, 2, 7, 12,<br>13, 14, 15,<br>16, 17 | 18 | Base Main                 | 2 Locking Tabs                             |             | 4-4    |

#### Note

When reassembling, perform the procedure in reverse order.

The "Bottom" on Disassembly column of above Table indicates the part should be disassembled at the Bottom side.

# DVF-3080-S/8100

## DECK MECHANISM DISASSEMBLY

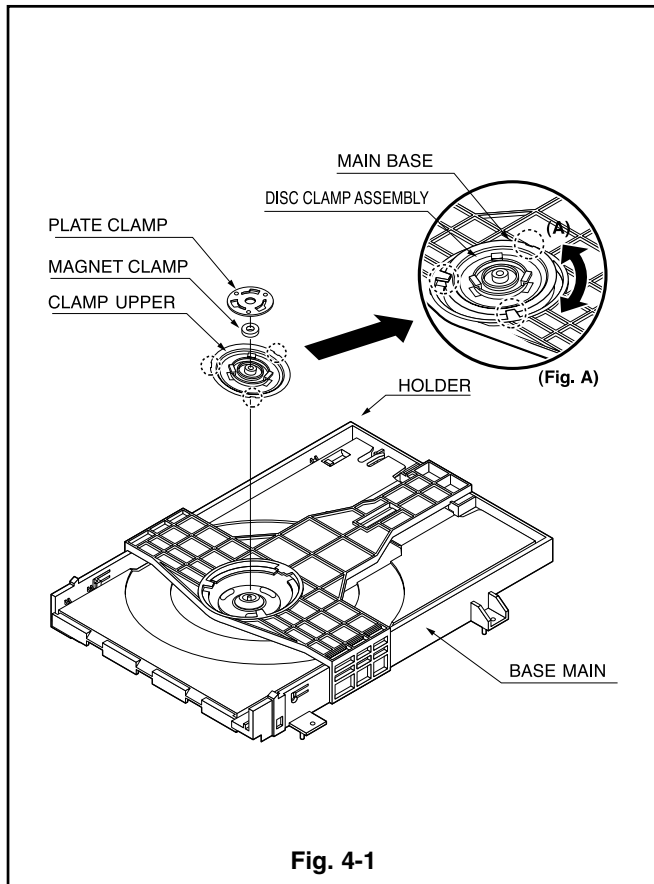


Fig. 4-1

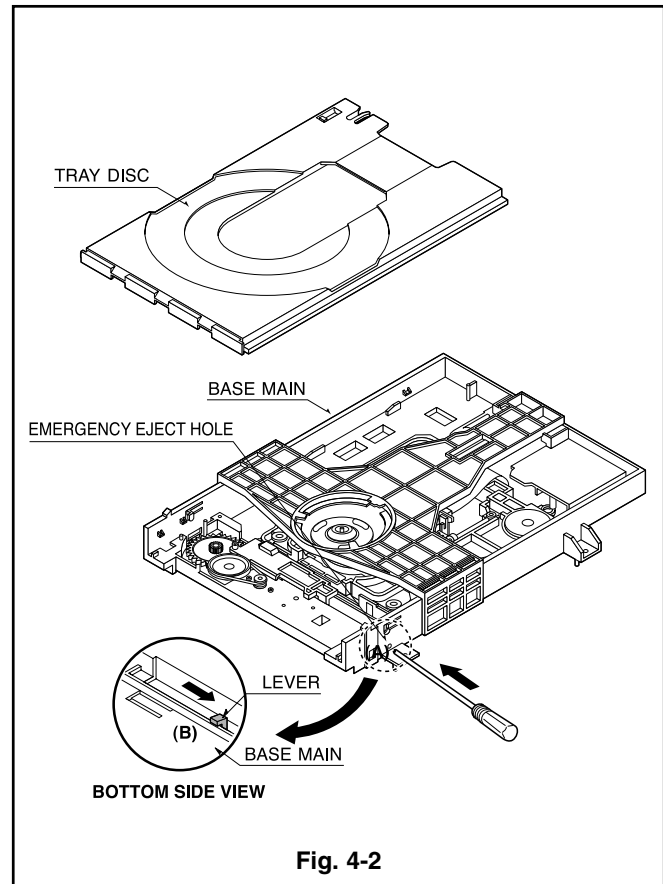


Fig. 4-2

### 1. Main Base (Fig. 4-1)

#### 1-1. Clamp Assembly Disc

- 1) Place the Clamp Assembly Disc as Fig. (A)
- 2) Lift up the Clamp Assembly Disc in direction of arrow(A).
- 3) Separate the Clamp Assembly Disc from the Holder Clamp.

#### 1-1-1. Plate Clamp

- 1) Turn the Plate Clamp to counterclockwise direction and then lift up the Plate Clamp.

#### 1-1-2. Magnet Clamp

#### 1-1-3. Clamp Upper

### 2. Tray Disc (Fig. 4-2)

- 1) Insert and push a Driver in the emergency eject hole(A) at the right side, or put the Driver on the Lever(B) of the Gear Emergency and pull the Lever(B) in direction of arrow so that the Tray Disc is ejected about 15~20mm.
- 2) Pull the Tray Disc until it is separated from the Base Main completely.



# DVF-3080-S/8100

## DECK MECHANISM DISASSEMBLY

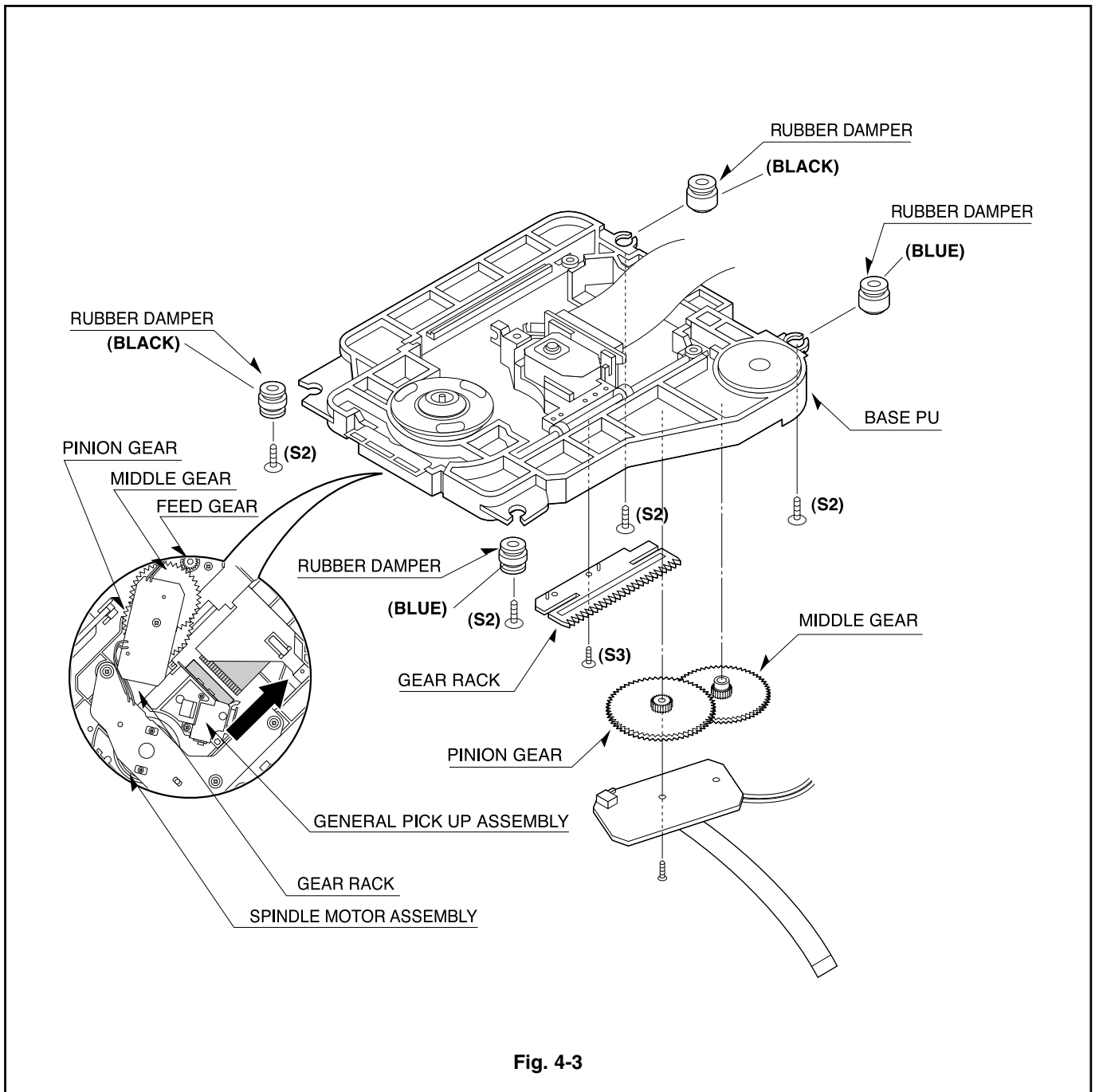


Fig. 4-3

### 3. Base Assembly Sled (Fig. 4-3)

- 1) Release 4 Screw(S2).
- 2) Disconnect the FFC Connector(C1)

#### 3-1. Gear Feed

#### 3-2. Gear Middle

### 3-3. Gear Rack

- 1) Release the Scerw(S3)

### 4. Rubber Rear (Fig. 4-3)

# DVF-3080-S/8100

## DECK MECHANISM DISASSEMBLY

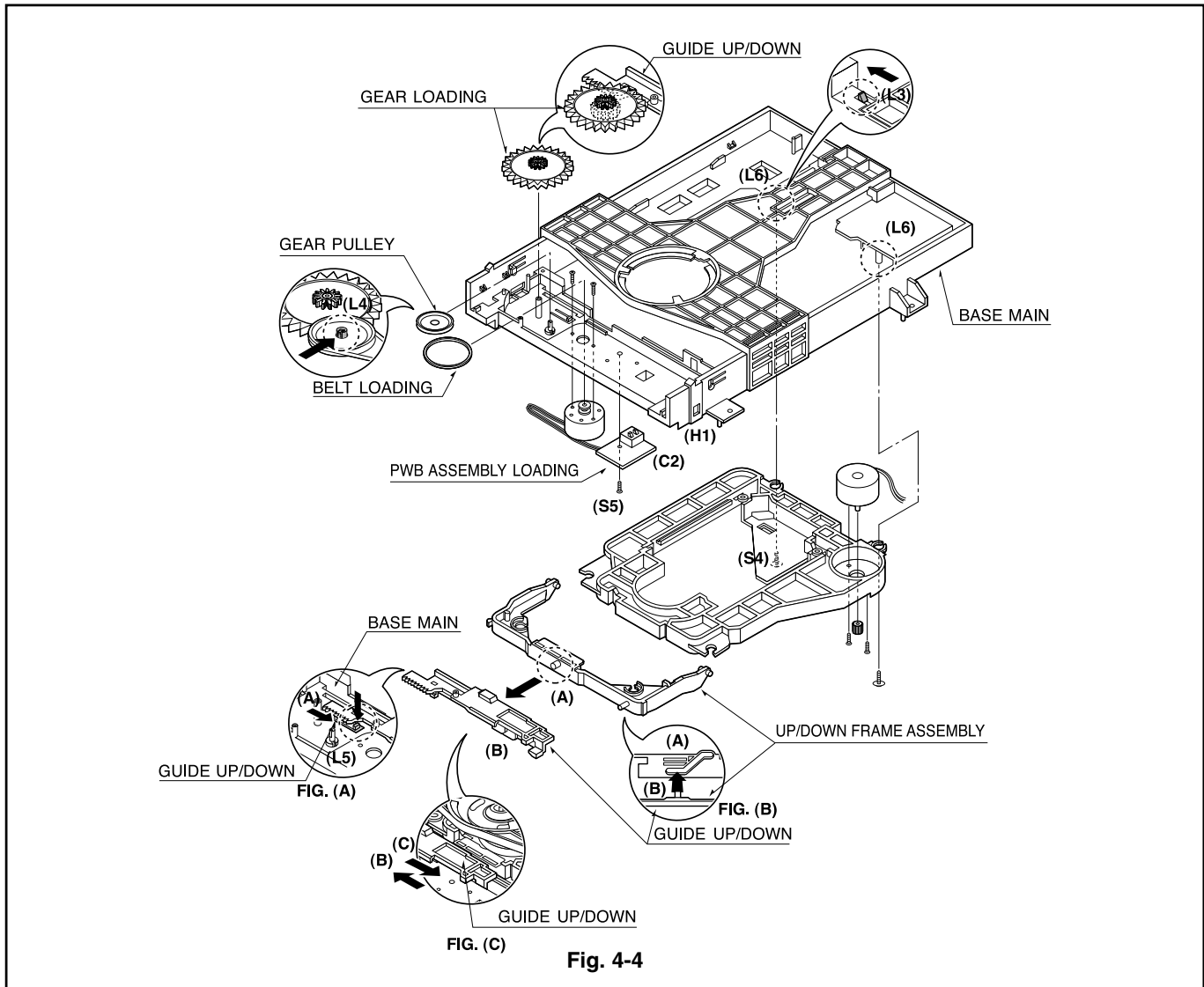


Fig. 4-4

### 5. Frame Assembly Up/Down (Fig. 4-4)

#### Note

Put the Base Main face down(Bottom Side)

- 1) Release the screw(S4)
- 2) Unlock the Locking Tab(L3) in direction of arrow and then lift up the Frame Assembly Up/Down to separate it from the Base Main.

#### Note

- When reassembling move the Guide Up/Down in direction of arrow(C) until it is positioned as Fig.(C).
- When reassembling insert (A) portion of the Frame Assembly Up/Down in the (B) portion of the Guide Up/Down as Fig.(B)

### 6. Belt Loading(Fig. 4-4)

#### Note

Put the Base Main on original position(Top Side)

### 7. Gear pulley (Fig. 4-4)

- 1) Unlock the Locking Tab(L4) in direction of arrow(B) and then separate the Gear Pulley from the Base Main.

### 8. Gear Loading (Fig. 4-4)

### 9. Guide Up/Down (Fig. 4-4)

- 1) Move the Guide Up/Down in direction of arrow(A) as Fig.(A)
- 2) Push the Locking Tab(L5) down and then lift up the Guide Up/Down to separate it from the Base Main.

#### Note

When reassembling place the Guide Up/Down as Fig.(C) and move it in direction arrow(B) until it is locked by the Locking Tab(L5). And confirm the Guide Up/Down as Fig.(A)

### 10. PWB Assembly Loading (Fig. 4-4)

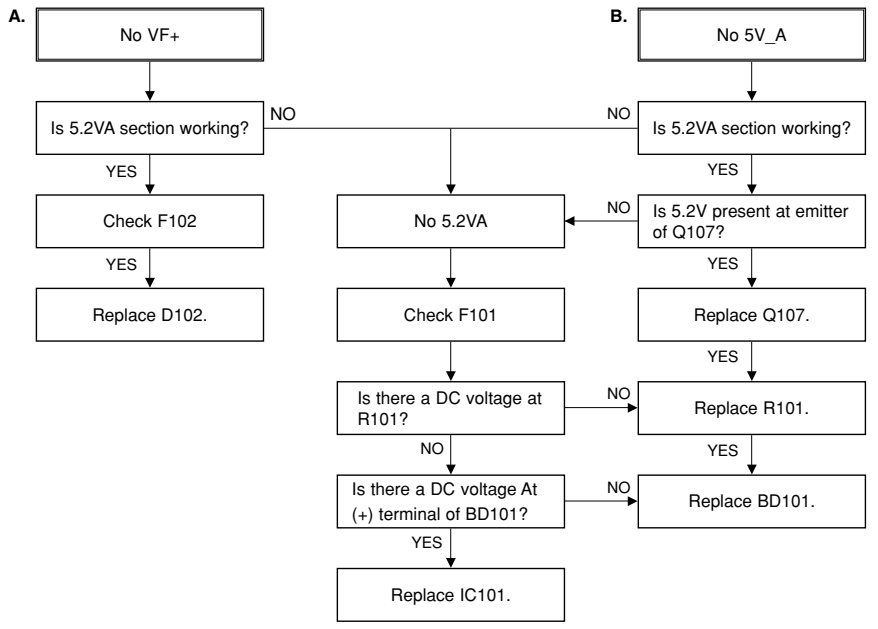
#### Note

Put the Base Main face down(Bottom Side)

- 1) Release 1 Screws(S5)
- 2) Unlock the Loading Motor (C2) from the Hook (H1) on the Base Main.
- 3) Unlock 2 Locking Tabs(L6) and separate the PWB Assembly Loading from the Base Main.

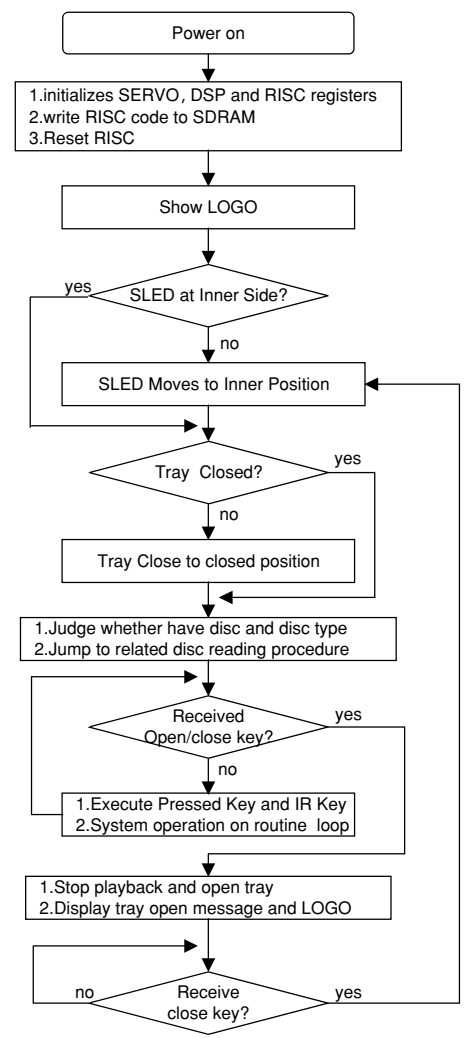
### 11. Base Main(Fig. 4-4)

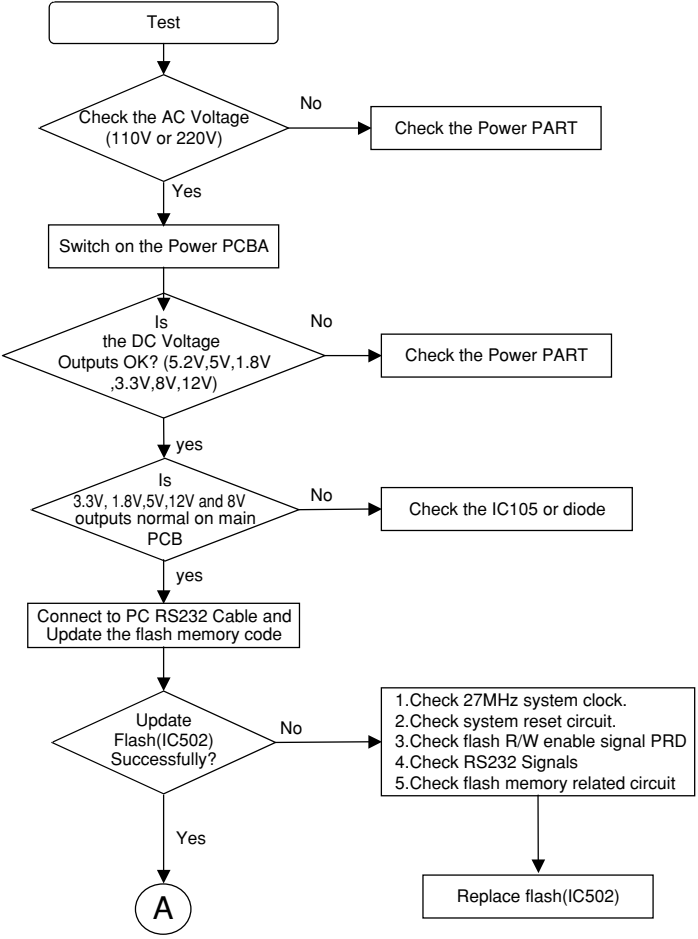
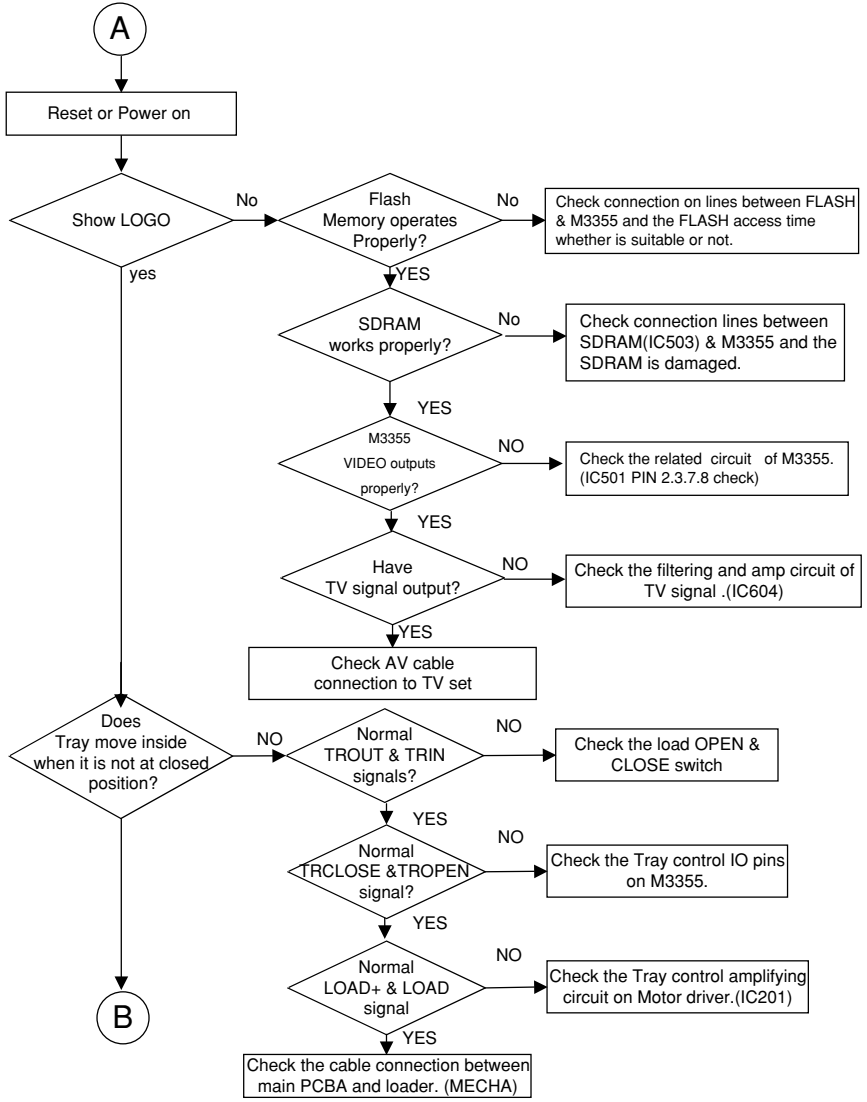
### 1. Power check flow

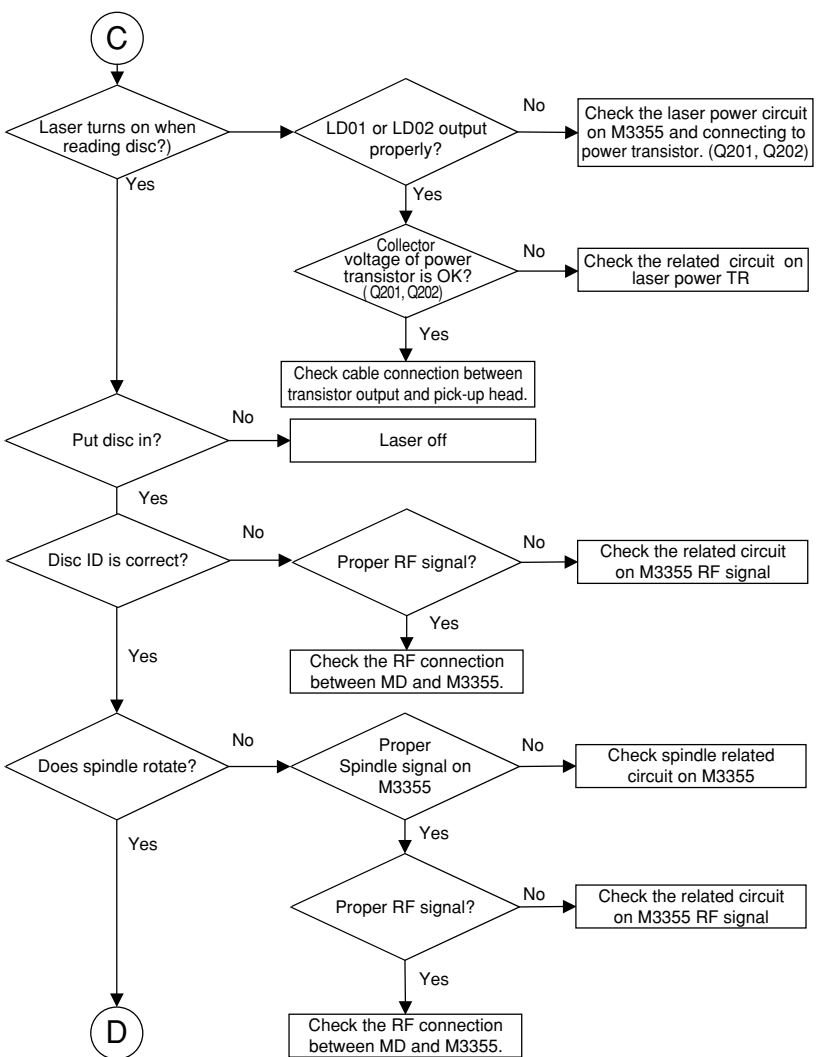
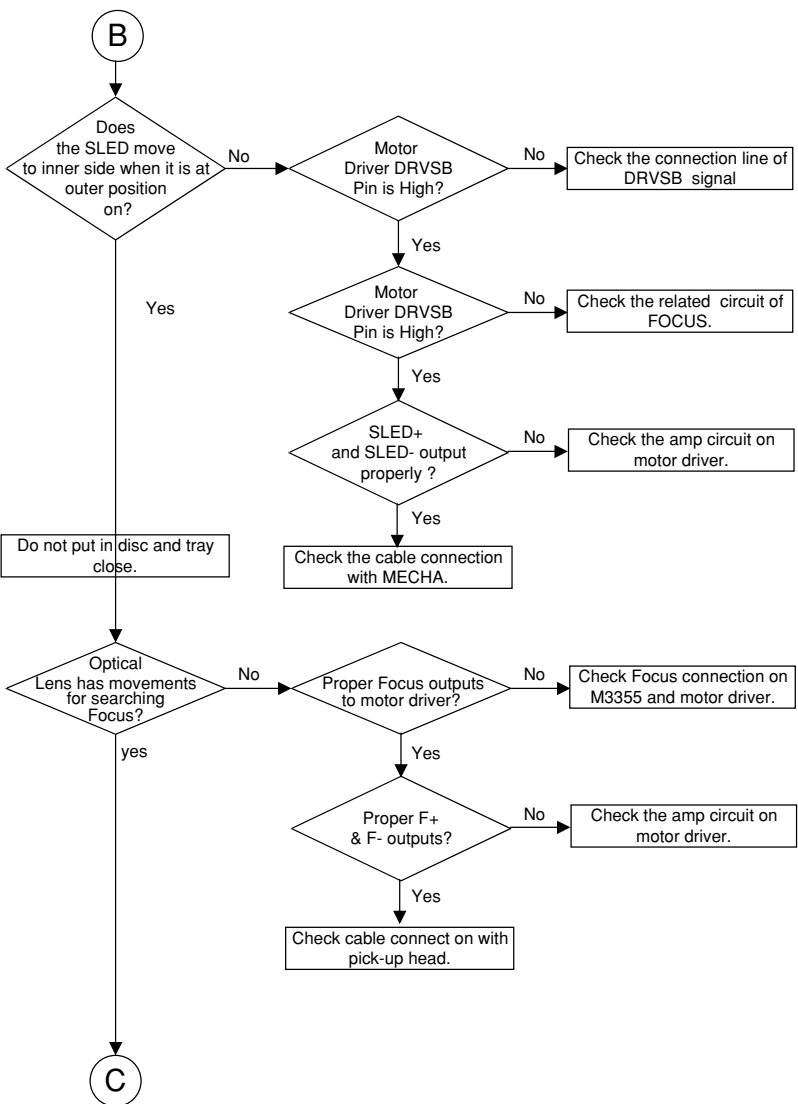


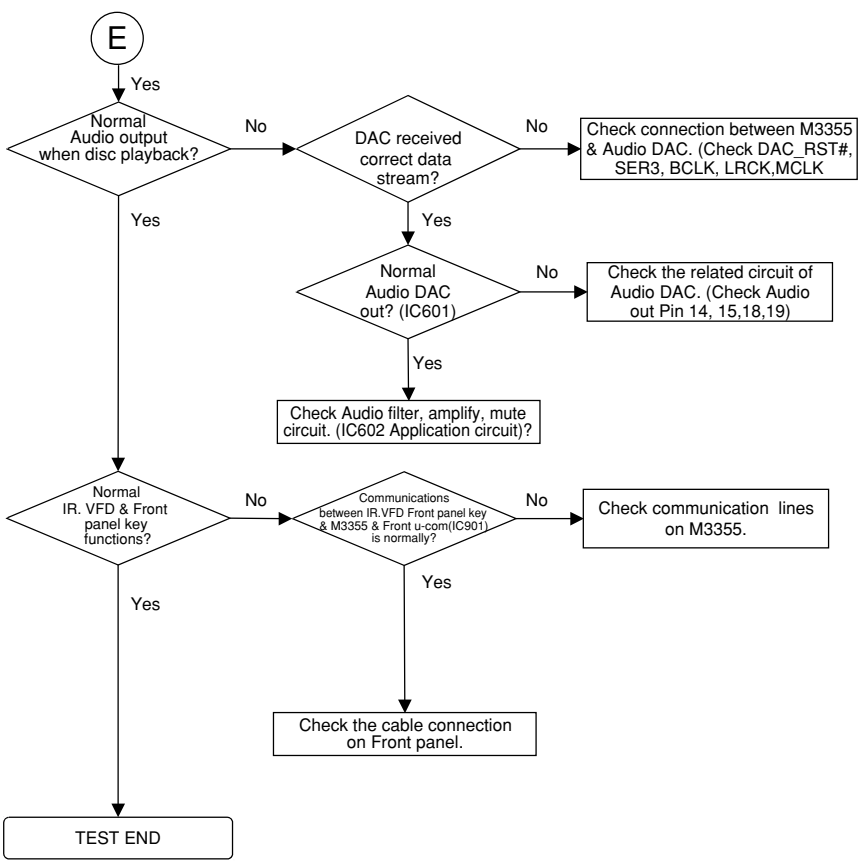
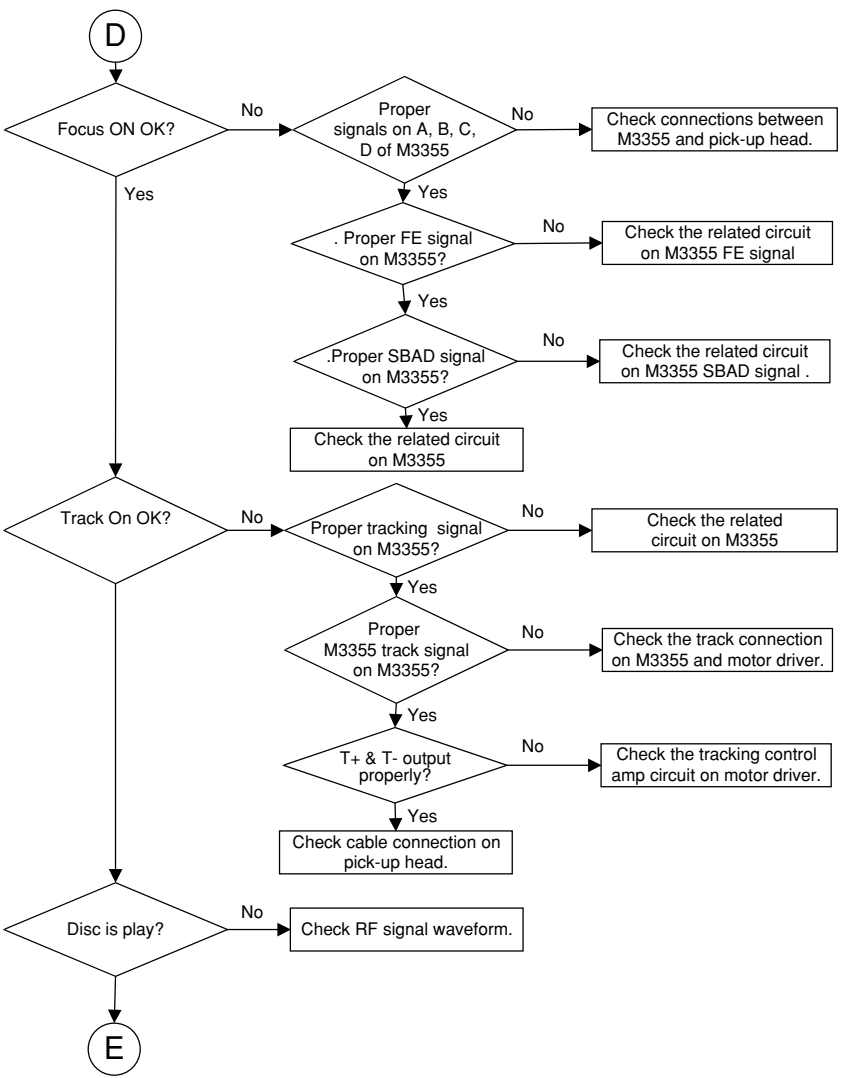
note: This Troubleshooting has various information.

### 2. System operation flow









# DVF-3080-S/8100

## WAVEFORMS

### 1. SYSTEM 27MHz CLOCK, RESET SIGNAL

1) M3355 main clock is at 27MHz(X501)

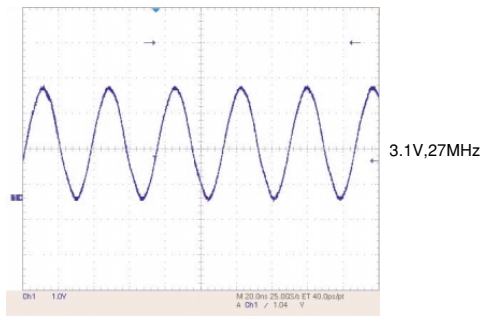


FIG 1-1

2) M3355 reset is low active

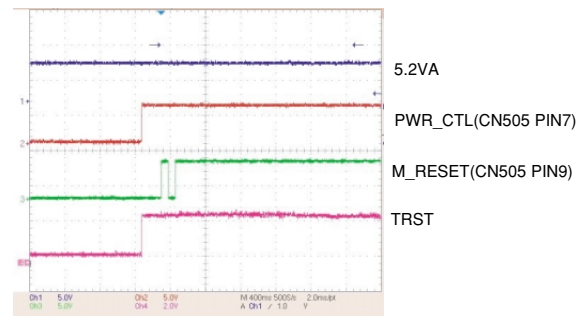


FIG 1-2

### 2. SDRAM CLOCK

1) SDRAM clock is at 135MHz

CLK=135MHz, Vp-p=3.3V

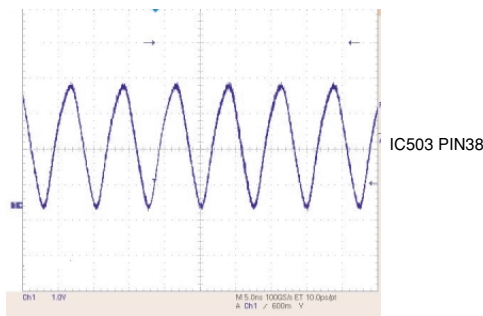


FIG 2-1

### 3. TRAY OPEN/CLOSE SIGNAL

1) Tray open/close waveform

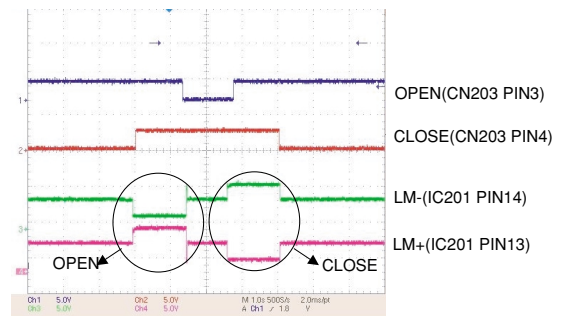


FIG 3-1

2) Tray open waveform

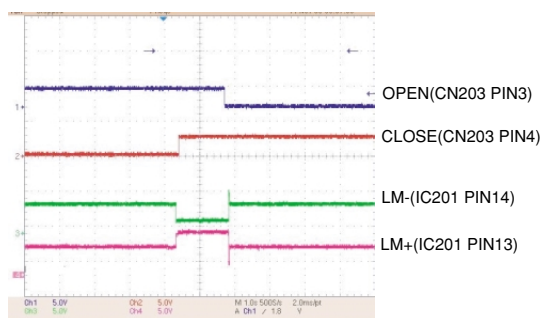


FIG 3-2

3) Tray close waveform

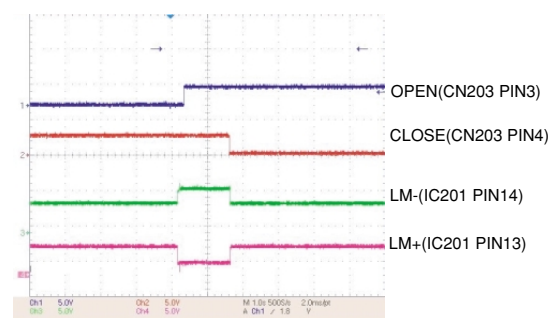


FIG 3-3

### 4. SLED CONTROL RELATED SIGNAL(NO DISC CONDITION)

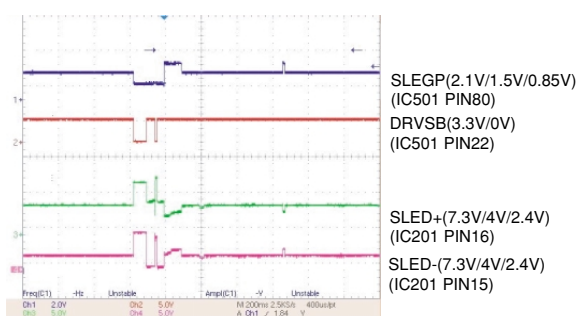


FIG 4-1

### 5. LENS CONTROL RELATED SIGNAL(NO DISC CONDITION)

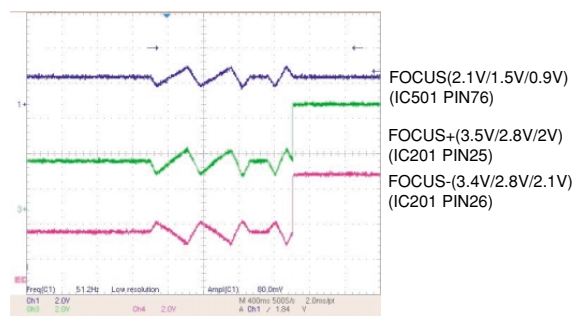


FIG 5-1

# DVF-3080-S/8100

## WAVEFORMS

### 6. LASER POWER CONTROL RELATED SIGNAL(NO DISC CONDITION)

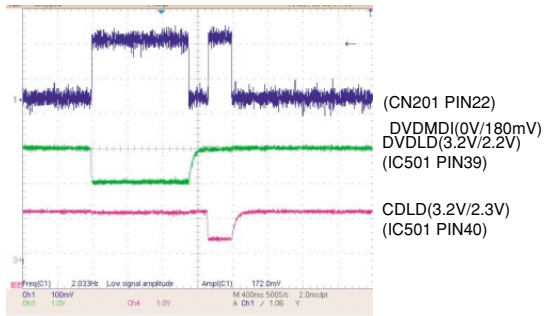


FIG 6-1

### 7. DISC TYPE JUDGEMENT WAVEFORM

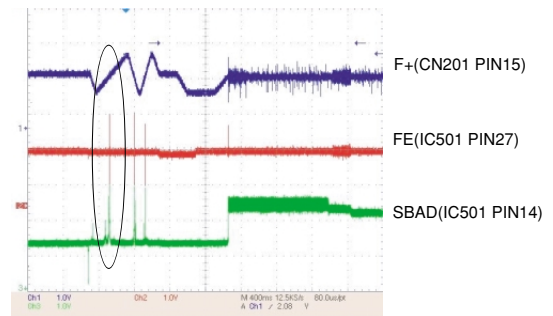


FIG 7-1(DVD)

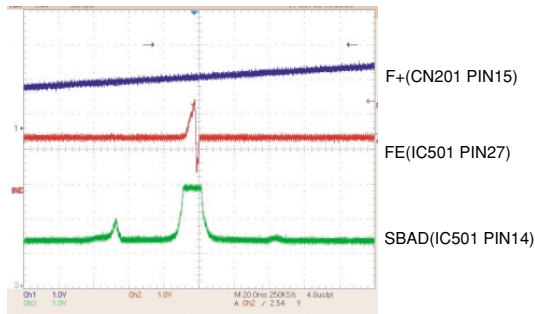


FIG 7-2(DVD)

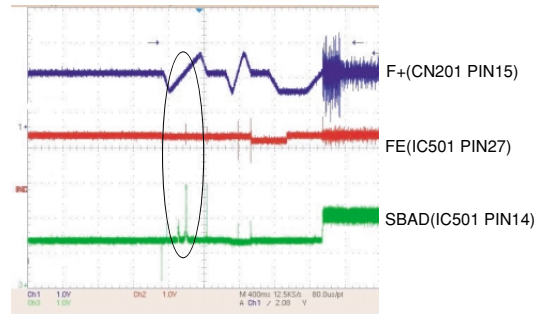


FIG 7-3 (CD)

### 8. FOCUS ON WAVEFORM

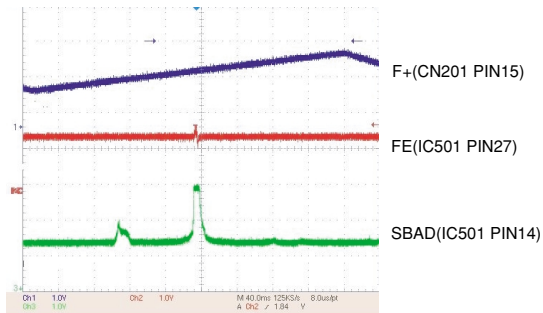


FIG 7-4 (CD)

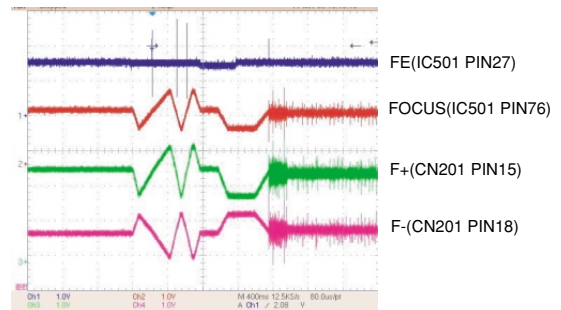


FIG 8-1 (DVD)

### 9. SPINDLE CONTROL WAVEFORM (NO DISC CONDITION)

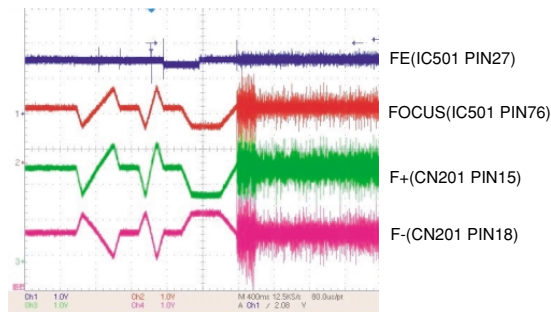


FIG 8-2 (CD)

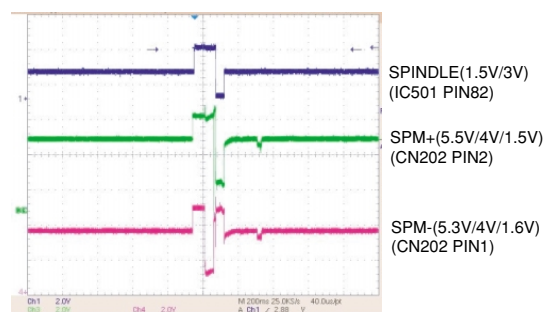


FIG 9-1 (DVD)



# DVF-3080-S/8100

## WAVEFORMS

### 10. TRACKING CONTROL RELATED SIGNAL(System checking)

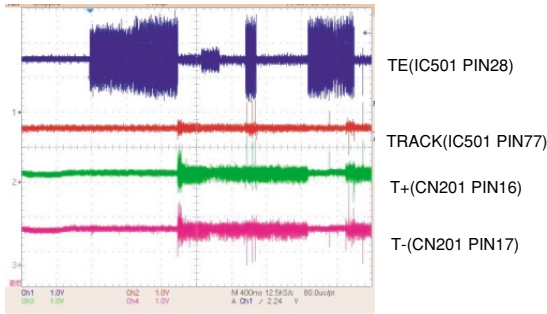


FIG 10-1 (DVD)

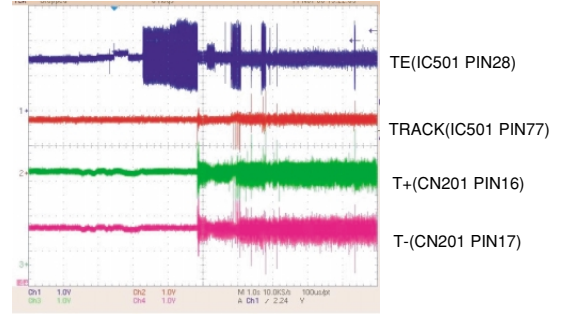


FIG 10-2(CD)

### 11. RF WAVEFORM

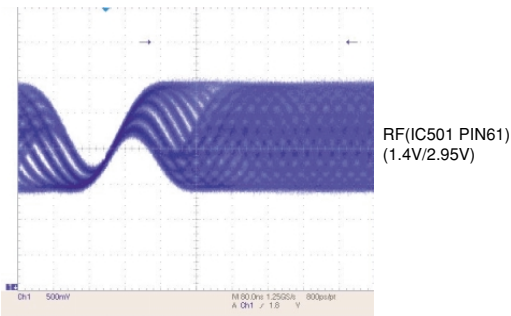


FIG 11-1

### 12. M3355 AUDIO OPTICAL AND COAXIAL OUTPUT(ASPDIF)

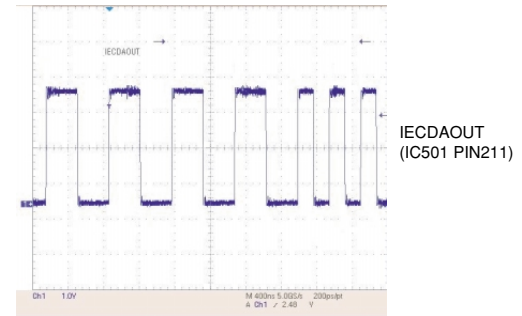


FIG 12-1

### 13.M3355 VIDEO OUTPUT WAVEFORM

#### 1) Full colorbar signal(CVBS)

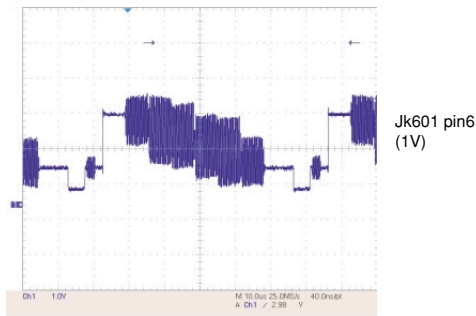


FIG 13-1

#### 2) Y

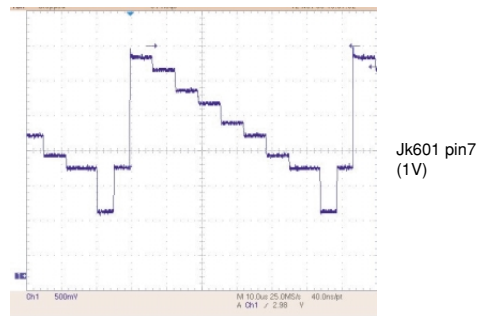


FIG 13-2

#### 3) C

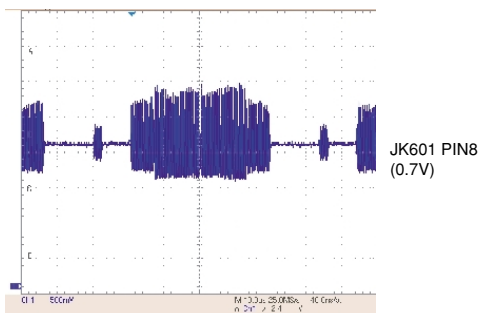


FIG 13-3

### 14. AUDIO OUTPUT FROM AUDIO DAC

#### 1) AUDIO L/R

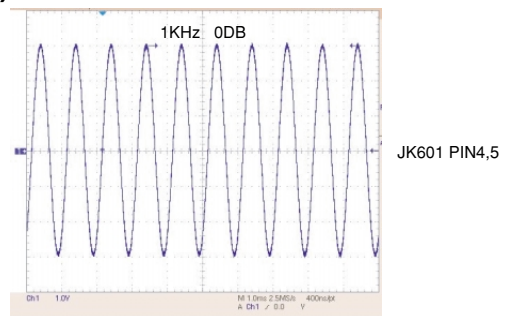


FIG 14-1

# DVF-3080-S/8100

## WAVEFORMS

### 2) Audio Related Signal

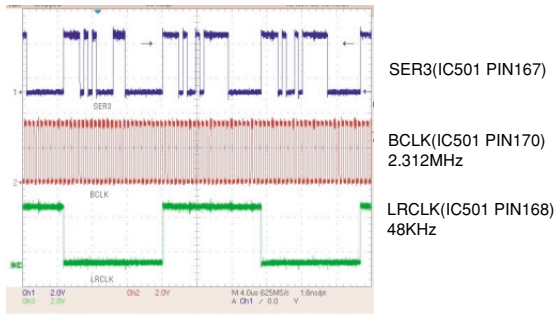
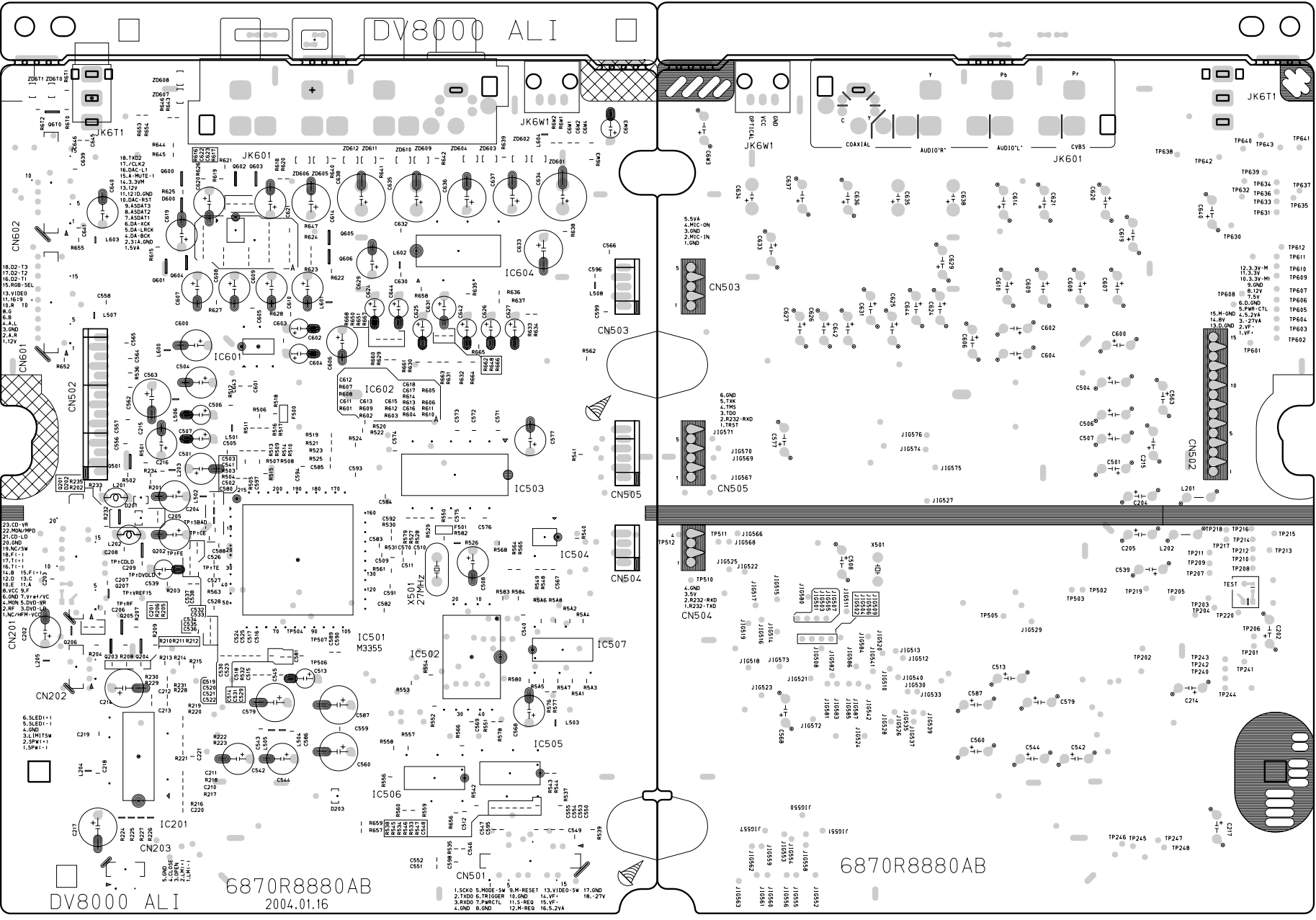


FIG 14-2

# PC BOARD

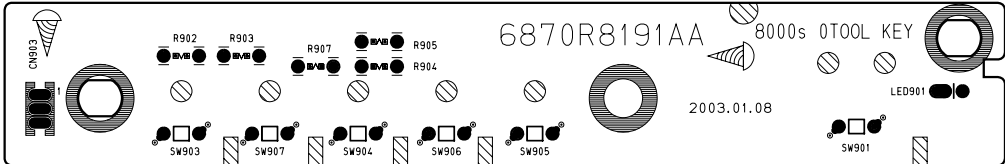
## 1. MAIN P.C. BOARD



Refer to the schematic diagram for the value of resistors and capacitors.

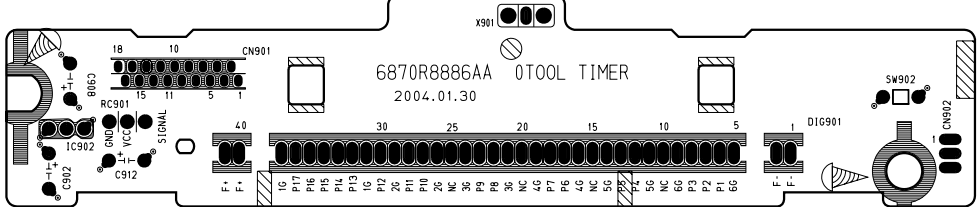
# PC BOARD

## 2. KEY P.C.BOARD



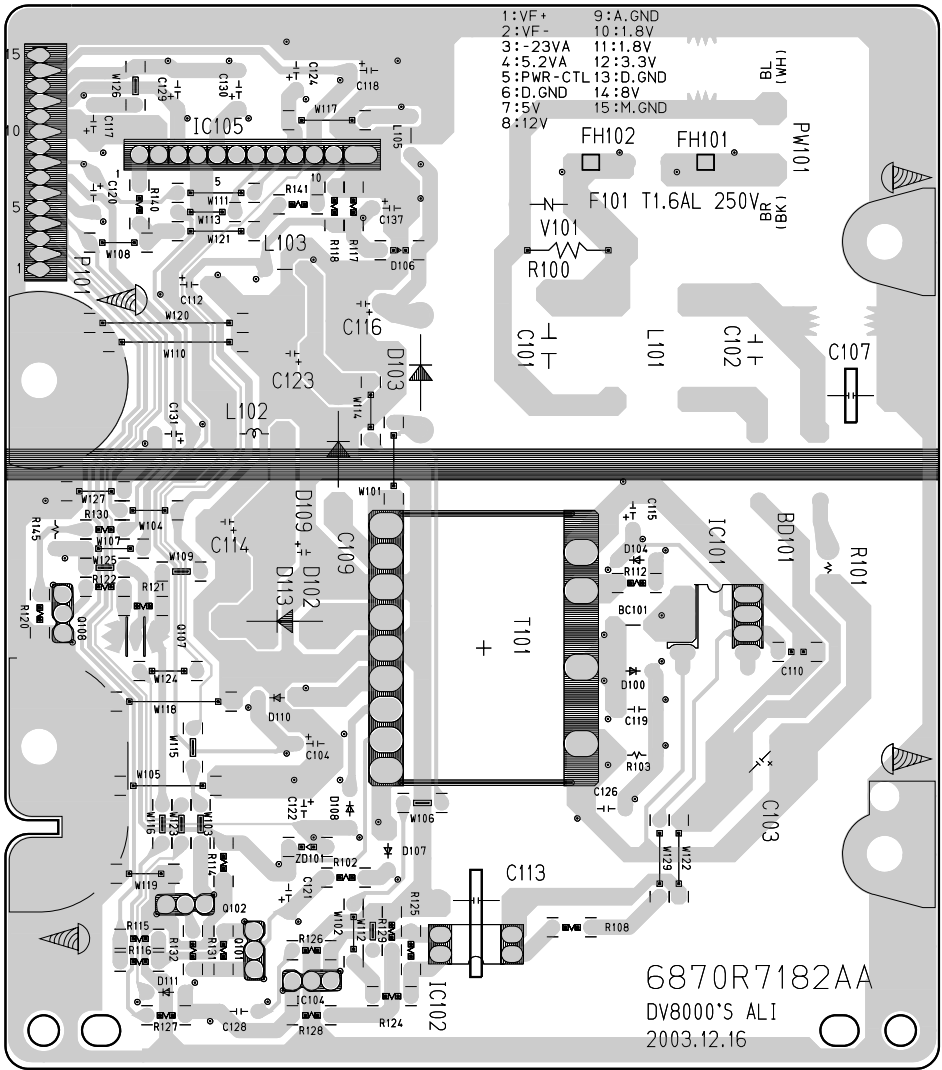
(Solder Side)

## 3. FRONT P.C.BOARD



(Solder Side)

## 4. SMPS P.C.BOARD



Note: This manual has no Start pcb.

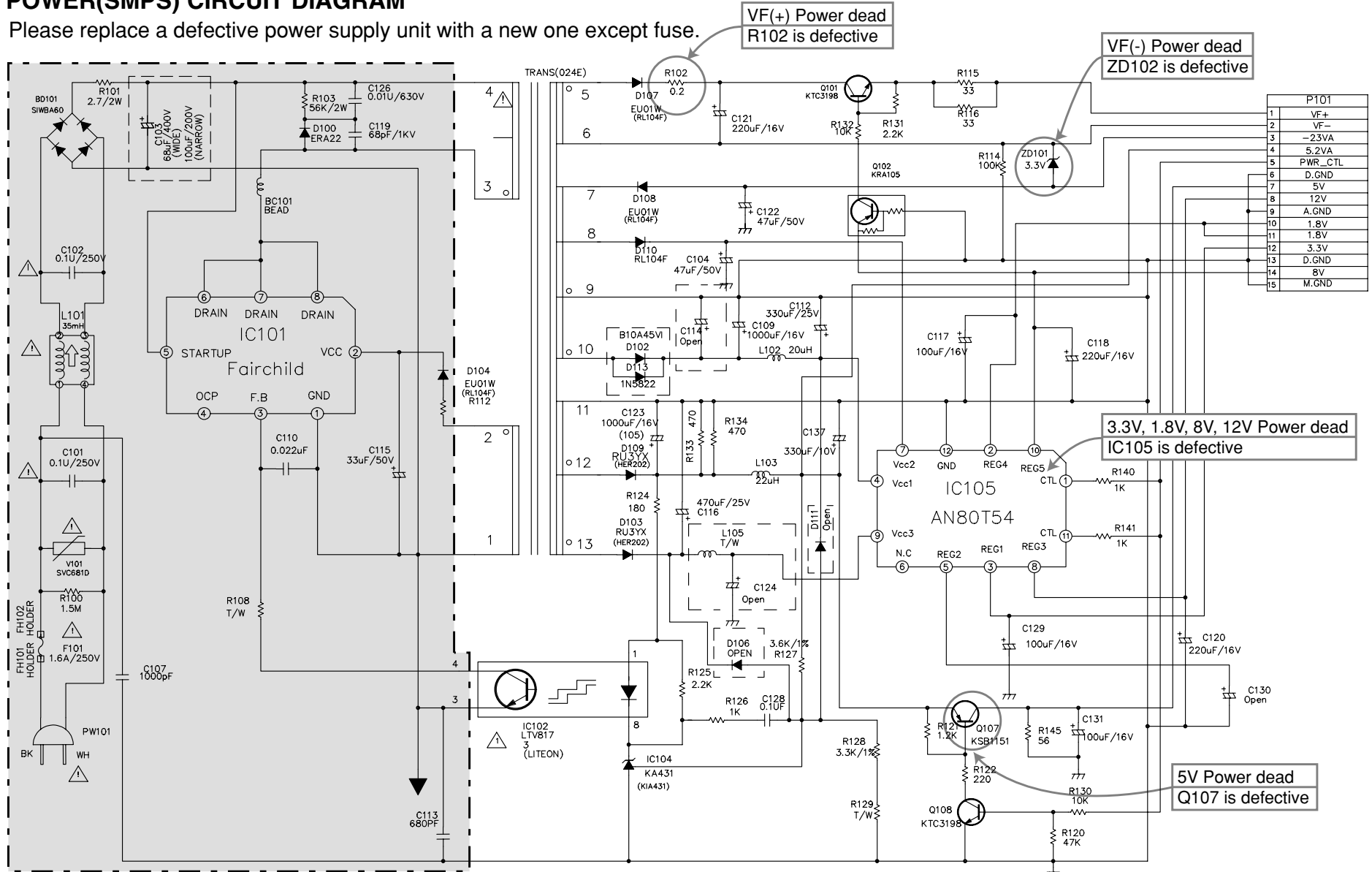


## CIRCUIT VOLTAGE CHART

| MODE PIN NO.            | STOP | PLAY | HOLD | MODE PIN NO.          | STOP | PLAY | HOLD | MODE PIN NO.  | STOP | PLAY | HOLD | MODE PIN NO.  | STOP | PLAY | HOLD | MODE PIN NO.  | STOP | PLAY | MODE PIN NO. | STOP         | PLAY  | MODE PIN NO. | STOP | PLAY         | MODE PIN NO. | STOP | PLAY |              |      |      |  |              |      |      |  |   |      |      |  |   |   |      |  |   |      |     |  |   |   |   |  |    |   |   |  |   |   |   |  |   |   |   |  |   |   |   |  |   |   |   |  |   |   |   |  |   |     |      |  |   |     |      |  |   |      |      |  |    |      |      |  |    |       |       |  |   |   |   |  |   |   |   |  |   |      |      |  |   |   |   |  |   |     |      |  |   |      |      |  |    |      |      |  |    |       |      |  |   |      |      |  |   |      |      |  |   |      |      |  |   |      |      |  |   |     |      |  |    |      |     |  |    |     |      |  |    |       |       |  |   |   |   |  |   |   |   |  |   |   |   |  |   |   |   |  |   |     |      |  |    |      |      |  |    |   |   |  |    |       |       |  |   |      |     |  |   |      |     |  |   |     |      |  |   |      |      |  |   |   |      |  |    |     |   |  |    |      |      |  |    |       |      |  |   |   |   |  |   |   |   |  |   |   |   |  |   |   |   |  |   |   |      |  |    |     |  |  |    |   |   |  |    |       |       |  |   |      |      |  |   |      |      |  |   |      |     |  |   |      |      |  |   |   |      |  |    |      |      |  |    |      |      |  |    |       |       |  |   |   |   |  |   |   |   |  |   |   |   |  |   |   |   |  |    |   |      |  |    |   |   |  |    |   |   |  |    |       |       |  |   |      |      |  |   |      |      |  |   |      |     |  |   |      |      |  |    |     |      |  |    |      |     |  |    |      |   |  |    |       |      |  |   |   |   |  |   |   |   |  |   |   |   |  |   |   |   |  |    |      |      |  |    |      |      |  |    |      |      |  |    |       |       |  |   |      |      |  |   |      |      |  |   |      |     |  |   |      |      |  |    |   |      |  |    |      |      |  |    |   |   |  |    |       |      |  |   |   |   |  |   |   |   |  |   |   |   |  |   |   |   |  |    |      |      |  |    |      |      |  |    |      |      |  |    |       |       |  |   |      |      |  |   |      |      |  |   |      |     |  |   |       |       |  |    |      |      |  |    |     |      |  |    |      |      |  |    |       |       |  |   |      |      |  |   |   |   |  |   |   |   |  |   |   |   |  |    |     |      |  |    |     |      |  |    |      |      |  |    |       |       |  |   |      |     |  |   |     |      |  |   |      |      |  |   |      |      |  |    |     |      |  |    |      |      |  |    |      |      |  |    |       |       |  |   |      |     |  |   |   |   |  |   |   |   |  |   |   |   |  |    |     |      |  |    |      |      |  |    |      |     |  |    |       |       |  |   |   |   |  |   |   |   |  |   |   |   |  |    |     |      |  |    |      |      |  |    |      |      |  |    |       |       |  |   |      |      |  |   |      |      |  |   |     |     |  |   |      |      |  |    |     |      |  |    |      |      |  |    |   |   |  |    |       |       |  |   |      |      |  |   |   |   |  |   |   |   |  |   |   |   |  |    |   |      |  |    |      |      |  |    |   |   |  |    |       |       |  |   |      |      |  |   |      |      |  |   |      |      |  |   |       |       |  |    |   |      |  |    |      |      |  |    |   |   |  |    |       |    |  |   |      |      |  |   |      |      |  |   |   |   |  |    |   |   |  |    |   |      |  |    |   |   |  |    |     |      |  |   |      |      |  |   |      |      |  |   |   |   |  |   |   |   |  |    |   |   |  |    |      |      |  |    |     |      |  |    |     |      |  |   |      |      |  |   |      |      |  |   |   |   |  |   |      |      |  |    |   |   |  |    |      |      |  |   |      |      |  |    |      |   |  |    |   |   |  |    |   |   |  |    |   |   |  |    |     |      |  |   |   |   |  |   |   |   |  |   |   |   |  |   |   |   |  |    |   |   |  |    |      |      |  |   |      |      |  |   |   |   |  |   |      |      |  |   |      |      |  |   |      |      |  |   |   |   |  |   |      |      |  |   |      |      |  |    |     |      |  |    |      |     |  |    |      |     |  |    |      |   |  |    |      |      |  |    |      |      |  |    |   |   |  |    |      |      |  |    |      |      |  |    |     |      |  |    |      |   |  |    |   |   |  |    |   |   |  |    |      |      |  |    |      |      |  |    |      |      |  |    |  |  |  |    |      |      |  |    |       |       |  |    |       |      |  |    |       |       |  |    |       |       |  |    |       |       |  |    |       |       |  |    |       |       |  |    |      |       |  |    |   |   |  |   |      |      |  |   |      |      |  |   |      |      |  |   |   |   |  |   |      |      |  |   |   |   |  |   |      |      |  |   |   |   |  |   |      |      |  |   |      |      |  |   |      |      |  |   |      |      |  |   |      |     |  |
|-------------------------|------|------|------|-----------------------|------|------|------|---------------|------|------|------|---------------|------|------|------|---------------|------|------|--------------|--------------|-------|--------------|------|--------------|--------------|------|------|--------------|------|------|--|--------------|------|------|--|---|------|------|--|---|---|------|--|---|------|-----|--|---|---|---|--|----|---|---|--|---|---|---|--|---|---|---|--|---|---|---|--|---|---|---|--|---|---|---|--|---|-----|------|--|---|-----|------|--|---|------|------|--|----|------|------|--|----|-------|-------|--|---|---|---|--|---|---|---|--|---|------|------|--|---|---|---|--|---|-----|------|--|---|------|------|--|----|------|------|--|----|-------|------|--|---|------|------|--|---|------|------|--|---|------|------|--|---|------|------|--|---|-----|------|--|----|------|-----|--|----|-----|------|--|----|-------|-------|--|---|---|---|--|---|---|---|--|---|---|---|--|---|---|---|--|---|-----|------|--|----|------|------|--|----|---|---|--|----|-------|-------|--|---|------|-----|--|---|------|-----|--|---|-----|------|--|---|------|------|--|---|---|------|--|----|-----|---|--|----|------|------|--|----|-------|------|--|---|---|---|--|---|---|---|--|---|---|---|--|---|---|---|--|---|---|------|--|----|-----|--|--|----|---|---|--|----|-------|-------|--|---|------|------|--|---|------|------|--|---|------|-----|--|---|------|------|--|---|---|------|--|----|------|------|--|----|------|------|--|----|-------|-------|--|---|---|---|--|---|---|---|--|---|---|---|--|---|---|---|--|----|---|------|--|----|---|---|--|----|---|---|--|----|-------|-------|--|---|------|------|--|---|------|------|--|---|------|-----|--|---|------|------|--|----|-----|------|--|----|------|-----|--|----|------|---|--|----|-------|------|--|---|---|---|--|---|---|---|--|---|---|---|--|---|---|---|--|----|------|------|--|----|------|------|--|----|------|------|--|----|-------|-------|--|---|------|------|--|---|------|------|--|---|------|-----|--|---|------|------|--|----|---|------|--|----|------|------|--|----|---|---|--|----|-------|------|--|---|---|---|--|---|---|---|--|---|---|---|--|---|---|---|--|----|------|------|--|----|------|------|--|----|------|------|--|----|-------|-------|--|---|------|------|--|---|------|------|--|---|------|-----|--|---|-------|-------|--|----|------|------|--|----|-----|------|--|----|------|------|--|----|-------|-------|--|---|------|------|--|---|---|---|--|---|---|---|--|---|---|---|--|----|-----|------|--|----|-----|------|--|----|------|------|--|----|-------|-------|--|---|------|-----|--|---|-----|------|--|---|------|------|--|---|------|------|--|----|-----|------|--|----|------|------|--|----|------|------|--|----|-------|-------|--|---|------|-----|--|---|---|---|--|---|---|---|--|---|---|---|--|----|-----|------|--|----|------|------|--|----|------|-----|--|----|-------|-------|--|---|---|---|--|---|---|---|--|---|---|---|--|----|-----|------|--|----|------|------|--|----|------|------|--|----|-------|-------|--|---|------|------|--|---|------|------|--|---|-----|-----|--|---|------|------|--|----|-----|------|--|----|------|------|--|----|---|---|--|----|-------|-------|--|---|------|------|--|---|---|---|--|---|---|---|--|---|---|---|--|----|---|------|--|----|------|------|--|----|---|---|--|----|-------|-------|--|---|------|------|--|---|------|------|--|---|------|------|--|---|-------|-------|--|----|---|------|--|----|------|------|--|----|---|---|--|----|-------|----|--|---|------|------|--|---|------|------|--|---|---|---|--|----|---|---|--|----|---|------|--|----|---|---|--|----|-----|------|--|---|------|------|--|---|------|------|--|---|---|---|--|---|---|---|--|----|---|---|--|----|------|------|--|----|-----|------|--|----|-----|------|--|---|------|------|--|---|------|------|--|---|---|---|--|---|------|------|--|----|---|---|--|----|------|------|--|---|------|------|--|----|------|---|--|----|---|---|--|----|---|---|--|----|---|---|--|----|-----|------|--|---|---|---|--|---|---|---|--|---|---|---|--|---|---|---|--|----|---|---|--|----|------|------|--|---|------|------|--|---|---|---|--|---|------|------|--|---|------|------|--|---|------|------|--|---|---|---|--|---|------|------|--|---|------|------|--|----|-----|------|--|----|------|-----|--|----|------|-----|--|----|------|---|--|----|------|------|--|----|------|------|--|----|---|---|--|----|------|------|--|----|------|------|--|----|-----|------|--|----|------|---|--|----|---|---|--|----|---|---|--|----|------|------|--|----|------|------|--|----|------|------|--|----|--|--|--|----|------|------|--|----|-------|-------|--|----|-------|------|--|----|-------|-------|--|----|-------|-------|--|----|-------|-------|--|----|-------|-------|--|----|-------|-------|--|----|------|-------|--|----|---|---|--|---|------|------|--|---|------|------|--|---|------|------|--|---|---|---|--|---|------|------|--|---|---|---|--|---|------|------|--|---|---|---|--|---|------|------|--|---|------|------|--|---|------|------|--|---|------|------|--|---|------|-----|--|
| <b>IC502 (MX29L800)</b> |      |      |      | <b>IC506 (LCX373)</b> |      |      |      | <b>IC 901</b> |      |      |      | <b>IC 901</b> |      |      |      | <b>IC 901</b> |      |      |              | <b>C 217</b> |       |              |      | <b>C 912</b> |              |      |      | <b>C 610</b> |      |      |  | <b>C 568</b> |      |      |  |   |      |      |  |   |   |      |  |   |      |     |  |   |   |   |  |    |   |   |  |   |   |   |  |   |   |   |  |   |   |   |  |   |   |   |  |   |   |   |  |   |     |      |  |   |     |      |  |   |      |      |  |    |      |      |  |    |       |       |  |   |   |   |  |   |   |   |  |   |      |      |  |   |   |   |  |   |     |      |  |   |      |      |  |    |      |      |  |    |       |      |  |   |      |      |  |   |      |      |  |   |      |      |  |   |      |      |  |   |     |      |  |    |      |     |  |    |     |      |  |    |       |       |  |   |   |   |  |   |   |   |  |   |   |   |  |   |   |   |  |   |     |      |  |    |      |      |  |    |   |   |  |    |       |       |  |   |      |     |  |   |      |     |  |   |     |      |  |   |      |      |  |   |   |      |  |    |     |   |  |    |      |      |  |    |       |      |  |   |   |   |  |   |   |   |  |   |   |   |  |   |   |   |  |   |   |      |  |    |     |  |  |    |   |   |  |    |       |       |  |   |      |      |  |   |      |      |  |   |      |     |  |   |      |      |  |   |   |      |  |    |      |      |  |    |      |      |  |    |       |       |  |   |   |   |  |   |   |   |  |   |   |   |  |   |   |   |  |    |   |      |  |    |   |   |  |    |   |   |  |    |       |       |  |   |      |      |  |   |      |      |  |   |      |     |  |   |      |      |  |    |     |      |  |    |      |     |  |    |      |   |  |    |       |      |  |   |   |   |  |   |   |   |  |   |   |   |  |   |   |   |  |    |      |      |  |    |      |      |  |    |      |      |  |    |       |       |  |   |      |      |  |   |      |      |  |   |      |     |  |   |      |      |  |    |   |      |  |    |      |      |  |    |   |   |  |    |       |      |  |   |   |   |  |   |   |   |  |   |   |   |  |   |   |   |  |    |      |      |  |    |      |      |  |    |      |      |  |    |       |       |  |   |      |      |  |   |      |      |  |   |      |     |  |   |       |       |  |    |      |      |  |    |     |      |  |    |      |      |  |    |       |       |  |   |      |      |  |   |   |   |  |   |   |   |  |   |   |   |  |    |     |      |  |    |     |      |  |    |      |      |  |    |       |       |  |   |      |     |  |   |     |      |  |   |      |      |  |   |      |      |  |    |     |      |  |    |      |      |  |    |      |      |  |    |       |       |  |   |      |     |  |   |   |   |  |   |   |   |  |   |   |   |  |    |     |      |  |    |      |      |  |    |      |     |  |    |       |       |  |   |   |   |  |   |   |   |  |   |   |   |  |    |     |      |  |    |      |      |  |    |      |      |  |    |       |       |  |   |      |      |  |   |      |      |  |   |     |     |  |   |      |      |  |    |     |      |  |    |      |      |  |    |   |   |  |    |       |       |  |   |      |      |  |   |   |   |  |   |   |   |  |   |   |   |  |    |   |      |  |    |      |      |  |    |   |   |  |    |       |       |  |   |      |      |  |   |      |      |  |   |      |      |  |   |       |       |  |    |   |      |  |    |      |      |  |    |   |   |  |    |       |    |  |   |      |      |  |   |      |      |  |   |   |   |  |    |   |   |  |    |   |      |  |    |   |   |  |    |     |      |  |   |      |      |  |   |      |      |  |   |   |   |  |   |   |   |  |    |   |   |  |    |      |      |  |    |     |      |  |    |     |      |  |   |      |      |  |   |      |      |  |   |   |   |  |   |      |      |  |    |   |   |  |    |      |      |  |   |      |      |  |    |      |   |  |    |   |   |  |    |   |   |  |    |   |   |  |    |     |      |  |   |   |   |  |   |   |   |  |   |   |   |  |   |   |   |  |    |   |   |  |    |      |      |  |   |      |      |  |   |   |   |  |   |      |      |  |   |      |      |  |   |      |      |  |   |   |   |  |   |      |      |  |   |      |      |  |    |     |      |  |    |      |     |  |    |      |     |  |    |      |   |  |    |      |      |  |    |      |      |  |    |   |   |  |    |      |      |  |    |      |      |  |    |     |      |  |    |      |   |  |    |   |   |  |    |   |   |  |    |      |      |  |    |      |      |  |    |      |      |  |    |  |  |  |    |      |      |  |    |       |       |  |    |       |      |  |    |       |       |  |    |       |       |  |    |       |       |  |    |       |       |  |    |       |       |  |    |      |       |  |    |   |   |  |   |      |      |  |   |      |      |  |   |      |      |  |   |   |   |  |   |      |      |  |   |   |   |  |   |      |      |  |   |   |   |  |   |      |      |  |   |      |      |  |   |      |      |  |   |      |      |  |   |      |     |  |
| 1                       | 3.2  | 3.17 |      | 6                     | 0    | 0    |      | 1             | 0    | 0    |      | 10            | 1.68 | 1.53 |      | 1             | 0    | 0    |              | 36           | 25.83 | 21.96        |      | +            | 5.21         | 5.19 |      | +            | 4.85 | 4.85 |  | +            | 5.41 | 5.41 |  | + | 3.26 | 3.23 |  | 2 | 0 | 3.17 |  | 7 | 2.81 | 2.1 |  | 7 | 0 | 0 |  | 11 | 0 | 0 |  | - | 0 | 0 |  | + | 0 | 0 |  | - | 0 | 0 |  | - | 0 | 0 |  | - | 0 | 0 |  | 3 | 3.2 | 3.17 |  | 8 | 2.9 | 2.04 |  | 8 | 3.25 | 3.23 |  | 12 | 2.49 | 2.47 |  | 37 | 27.96 | 19.87 |  | - | 0 | 0 |  | - | 0 | 0 |  | - | 2.28 | 2.28 |  | - | 0 | 0 |  | 4 | 3.2 | 0.97 |  | 9 | 3.25 | 3.22 |  | 13 | 5.17 | 5.16 |  | 38 | 27.94 | 28.5 |  | + | 3.19 | 3.16 |  | + | 3.94 | 3.91 |  | + | 2.15 | 2.78 |  | + | 1.46 | 1.44 |  | 5 | 3.2 | 3.16 |  | 10 | 2.85 | 2.1 |  | 14 | 2.5 | 2.47 |  | 39 | 27.95 | 26.33 |  | - | 0 | 0 |  | - | 0 | 0 |  | - | 0 | 0 |  | - | 0 | 0 |  | 6 | 3.2 | 3.16 |  | 11 | 2.87 | 2.91 |  | 15 | 0 | 0 |  | 40 | 30.09 | 24.16 |  | + | 1.62 | 1.6 |  | + | 5.11 | 5.1 |  | + | 2.5 | 2.49 |  | + | 5.19 | 5.18 |  | 7 | 0 | 3.16 |  | 12 | 1.9 | 0 |  | 16 | 2.53 | 2.52 |  | 41 | 27.94 | 28.6 |  | - | 0 | 0 |  | - | 0 | 0 |  | - | 0 | 0 |  | - | 0 | 0 |  | 8 | 0 | 3.16 |  | 13 | 2.8 |  |  | 17 | 0 | 0 |  | 42 | 30.09 | 24.51 |  | + | 3.27 | 3.25 |  | + | 5.21 | 5.19 |  | + | 2.51 | 2.5 |  | + | 5.42 | 5.41 |  | 9 | 0 | 3.16 |  | 14 | 3.25 | 3.22 |  | 18 | 2.51 | 2.51 |  | 43 | 28.09 | 30.66 |  | - | 0 | 0 |  | - | 0 | 0 |  | - | 0 | 0 |  | - | 0 | 0 |  | 10 | 0 | 1.02 |  | 15 | 0 | 0 |  | 19 | 0 | 0 |  | 44 | 30.09 | 28.75 |  | + | 3.27 | 3.25 |  | + | 5.21 | 5.19 |  | + | 2.51 | 2.5 |  | + | 5.42 | 5.41 |  | 11 | 3.2 | 3.16 |  | 16 | 3.18 | 3.1 |  | 20 | 2.18 | 2 |  | 45 | 30.09 | 30.7 |  | - | 0 | 0 |  | - | 0 | 0 |  | - | 0 | 0 |  | - | 0 | 0 |  | 12 | 5.25 | 5.25 |  | 17 | 3.07 | 2.58 |  | 21 | 2.16 | 2.05 |  | 46 | 30.09 | 30.82 |  | + | 3.27 | 3.25 |  | + | 5.21 | 5.19 |  | + | 2.51 | 2.5 |  | + | 5.42 | 5.41 |  | 13 | 0 | 2.73 |  | 18 | 3.14 | 0.61 |  | 22 | 0 | 0 |  | 47 | 30.09 | 30.8 |  | - | 0 | 0 |  | - | 0 | 0 |  | - | 0 | 0 |  | - | 0 | 0 |  | 14 | 1.54 | 3.19 |  | 19 | 2.95 | 2.97 |  | 23 | 2.16 | 1.96 |  | 48 | 28.12 | 28.72 |  | + | 5.42 | 5.41 |  | + | 5.21 | 5.19 |  | + | 2.51 | 2.5 |  | + | 19.86 | 20.24 |  | 15 | 1.33 | 1.71 |  | 20 | 2.9 | 2.96 |  | 24 | 0.25 | 0.42 |  | 49 | 28.13 | 28.68 |  | - | 2.28 | 2.28 |  | - | 0 | 0 |  | - | 0 | 0 |  | - | 0 | 0 |  | 16 | 3.2 | 2.43 |  | 21 | 2.6 | 0.32 |  | 25 | 0.23 | 0.42 |  | 50 | 28.06 | 28.85 |  | + | 5.21 | 5.2 |  | + | 3.2 | 3.15 |  | + | 5.17 | 5.17 |  | + | 3.26 | 3.23 |  | 17 | 3.2 | 3.17 |  | 22 | 2.81 | 2.83 |  | 26 | 2.51 | 2.51 |  | 51 | 28.16 | 28.81 |  | + | 5.21 | 5.2 |  | + | 0 | 0 |  | - | 0 | 0 |  | - | 0 | 0 |  | 18 | 3.2 | 3.16 |  | 23 | 0.05 | 0.06 |  | 27 | 0.53 | 0.8 |  | 52 | 28.14 | 28.32 |  | - | 0 | 0 |  | - | 0 | 0 |  | - | 0 | 0 |  | 19 | 1.7 | 3.17 |  | 24 | 0.16 | 0.18 |  | 28 | 5.17 | 5.16 |  | 53 | 28.13 | 28.82 |  | + | 1.32 | 1.26 |  | + | 3.28 | 3.26 |  | + | 3.3 | 3.3 |  | + | 5.12 | 5.11 |  | 20 | 2.2 | 3.17 |  | 25 | 0.16 | 0.17 |  | 16 | 0 | 0 |  | 54 | 28.12 | 28.86 |  | - | 0.67 | 0.76 |  | - | 0 | 0 |  | - | 0 | 0 |  | - | 0 | 0 |  | 21 | 0 | 3.17 |  | 26 | 0.16 | 0.17 |  | 17 | 0 | 0 |  | 55 | 28.14 | 28.81 |  | + | 5.41 | 5.41 |  | + | 5.41 | 5.41 |  | + | 3.19 | 3.15 |  | + | 12.89 | 12.89 |  | 22 | 0 | 3.17 |  | 27 | 3.26 | 3.24 |  | 18 | 0 | 0 |  | 56 | 30.23 | 31 |  | - | 2.27 | 2.27 |  | - | 3.18 | 1.77 |  | - | 0 | 0 |  | 23 | 0 | 0 |  | 28 | 0 | 0.59 |  | 19 | 0 | 0 |  | 57 | 2.1 | 1.99 |  | + | 5.41 | 5.41 |  | + | 5.41 | 5.41 |  | + | 0 | 0 |  | + | 0 | 0 |  | 24 | 0 | 0 |  | 29 | 0.16 | 0.17 |  | 20 | 3.3 | 3.23 |  | 58 | 2.2 | 1.99 |  | - | 2.35 | 2.35 |  | - | 2.27 | 2.27 |  | - | 0 | 0 |  | + | 8.07 | 8.05 |  | 25 | 0 | 0 |  | 30 | 0.15 | 0.53 |  | 1 | 3.25 | 3.23 |  | 60 | 2.17 | 2 |  | 61 | 0 | 0 |  | 62 | 0 | 0 |  | 63 | 0 | 0 |  | 64 | 3.2 | 3.18 |  | - | 0 | 0 |  | - | 0 | 0 |  | - | 0 | 0 |  | - | 0 | 0 |  | 26 | 0 | 0 |  | 31 | 0.16 | 0.53 |  | 2 | 3.27 | 3.26 |  | 3 | 0 | 0 |  | 4 | 1.35 | 1.35 |  | 5 | 1.64 | 1.63 |  | 6 | 1.56 | 1.56 |  | 7 | 0 | 0 |  | 8 | 3.19 | 3.16 |  | 9 | 0.12 | 0.13 |  | 10 | 3.2 | 3.17 |  | 11 | 5.11 | 5.1 |  | 12 | 2.11 | 2.1 |  | 13 | 5.04 | 0 |  | 14 | 2.29 | 2.29 |  | 15 | 2.28 | 2.28 |  | 16 | 0 | 0 |  | 17 | 5.19 | 5.18 |  | 18 | 2.29 | 2.28 |  | 19 | 2.3 | 2.29 |  | 20 | 5.04 | 0 |  | 21 | 0 | 0 |  | 22 | 0 | 0 |  | 23 | 2.72 | 2.72 |  | 24 | 5.24 | 5.24 |  | 25 | 5.24 | 5.24 |  | 26 |  |  |  | 27 | 3.13 | 3.13 |  | 28 | 23.74 | 24.19 |  | 29 | 27.96 | 26.4 |  | 30 | 25.84 | 28.47 |  | 31 | 27.97 | 26.34 |  | 32 | 25.84 | 26.37 |  | 33 | 27.96 | 30.72 |  | 34 | 25.84 | 26.32 |  | 35 | 30.1 | 28.55 |  | 27 | 0 | 0 |  | 2 | 2.52 | 2.47 |  | 3 | 5.17 | 5.16 |  | 4 | 1.36 | 1.27 |  | 5 | 0 | 0 |  | 6 | 1.68 | 1.55 |  | 7 | 0 | 0 |  | 8 | 2.52 | 2.51 |  | 9 | 0 | 0 |  | 1 | 3.25 | 3.23 |  | 2 | 2.85 | 2.86 |  | 3 | 3.25 | 3.22 |  | 4 | 2.87 | 2.87 |  | 5 | 2.85 | 2.5 |  |

# 1. POWER(SMPS) CIRCUIT DIAGRAM

Please replace a defective power supply unit with a new one except fuse.



VF(+) Power dead  
R102 is defective

VF(-) Power dead  
ZD102 is defective

3.3V, 1.8V, 8V, 12V Power dead  
IC105 is defective

5V Power dead  
Q107 is defective

| P101 |         |
|------|---------|
| 1    | VF+     |
| 2    | VF-     |
| 3    | -23VA   |
| 4    | 5.2VA   |
| 5    | PWR_CTL |
| 6    | D.GND   |
| 7    | 5V      |
| 8    | 12V     |
| 9    | A.GND   |
| 10   | 1.8V    |
| 11   | 1.8V    |
| 12   | 3.3V    |
| 13   | D.GND   |
| 14   | 8V      |
| 15   | M.GND   |

NOTES: ⚠ Warning Parts that are shaded are critical With respect to risk of fire or electrical shock.

NOTES: ⚡ Symbol denotes AC ground. ⚡ Symbol denotes DC chassis ground.

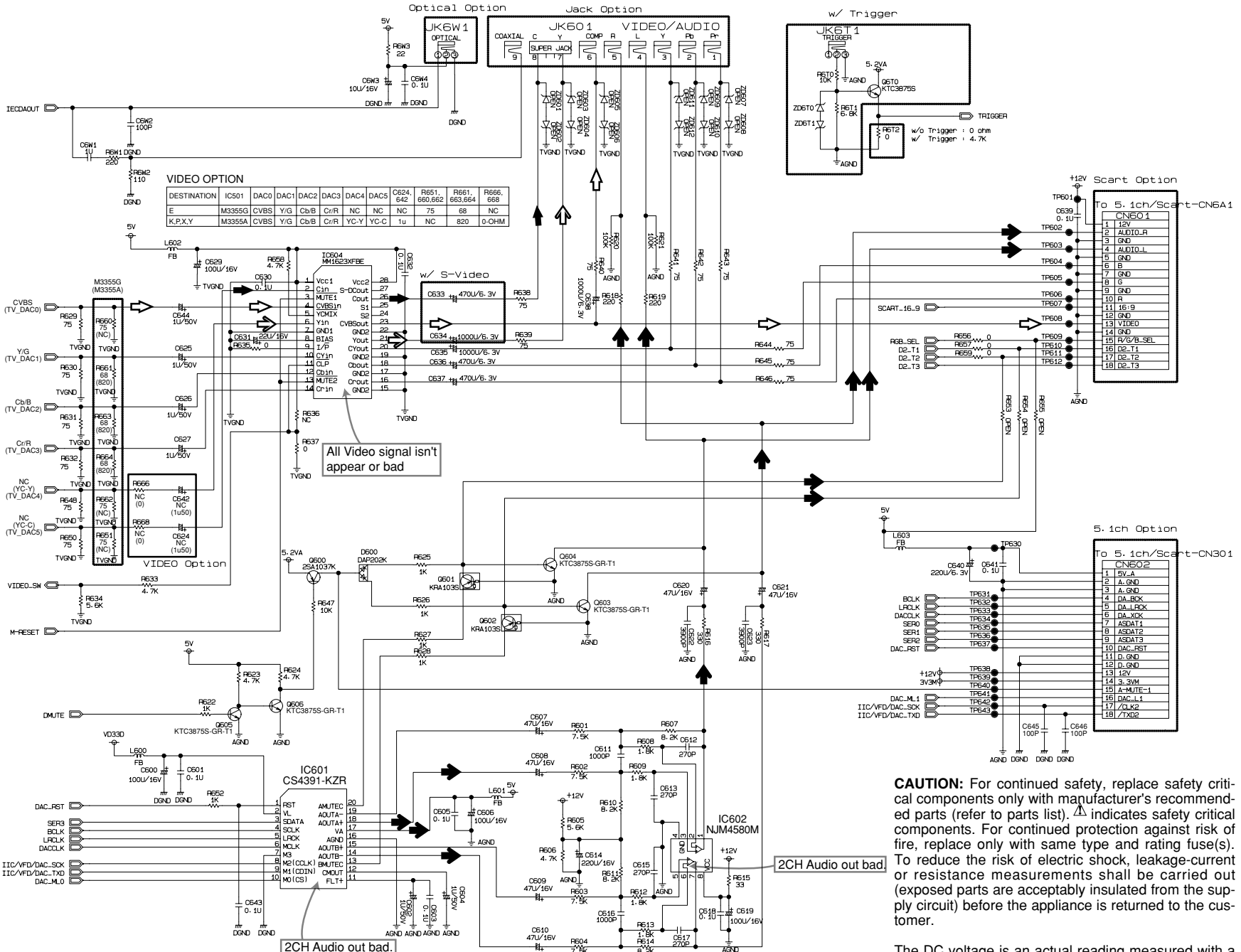
**CAUTION:** For continued safety, replace safety critical components only with manufacturer's recommended parts (refer to parts list). ⚠ indicates safety critical components. For continued protection against risk of fire, replace only with same type and rating fuse(s). To reduce the risk of electric shock, leakage-current or resistance measurements shall be carried out (exposed parts are acceptably insulated from the supply circuit) before the appliance is returned to the customer.

The DC voltage is an actual reading measured with a high impedance type voltmeter with no signal input. The measurement value may vary depending on the measuring instruments used or on the product.

DVF-3080-S/8100

# DVF-3080-S/8100

## 2. AV/JACK CIRCUIT DIAGRAM



All Video signal isn't appear or bad

2CH Audio out bad.

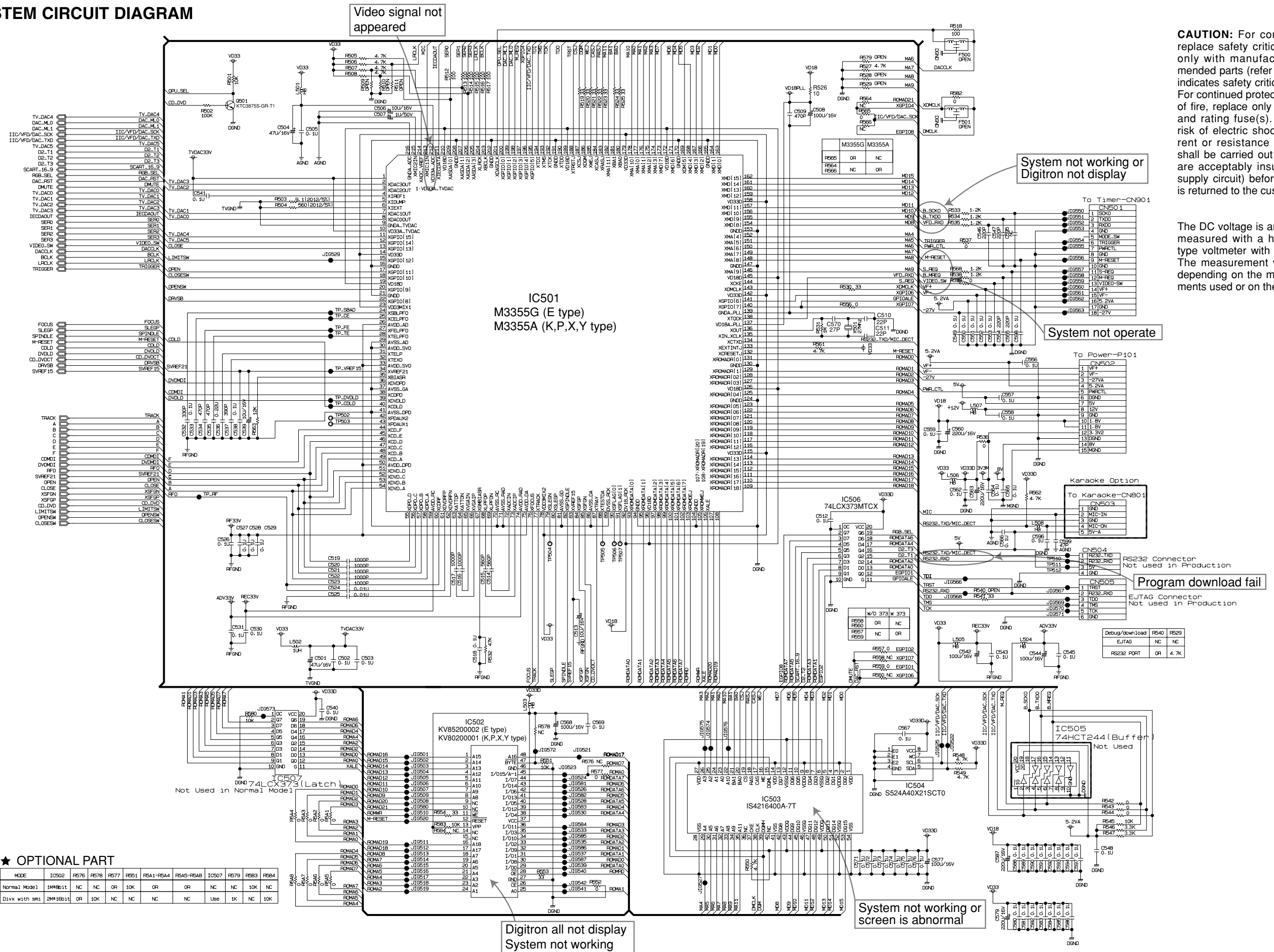
**CAUTION:** For continued safety, replace safety critical components only with manufacturer's recommended parts (refer to parts list).  $\Delta$  indicates safety critical components. For continued protection against risk of fire, replace only with same type and rating fuse(s). To reduce the risk of electric shock, leakage-current or resistance measurements shall be carried out (exposed parts are acceptably insulated from the supply circuit) before the appliance is returned to the customer.

The DC voltage is an actual reading measured with a high impedance type voltmeter with no signal input. The measurement value may vary depending on the measuring instruments used or on the product.

Video Signal Y  
Video Signal Color  
2CH Audio  
Video Signal CVBS



3. SYSTEM CIRCUIT DIAGRAM



**CAUTION:** For continued safety, replace safety critical components only with manufacturer's recommended parts (refer to parts list).  $\Delta$  indicates safety critical components. For continued protection against risk of fire, replace only with same type and rating fuse(s). To reduce the risk of electric shock, leakage-current or resistance measurements shall be carried out (exposed parts are acceptably insulated from the supply circuit) before the appliance is returned to the customer.

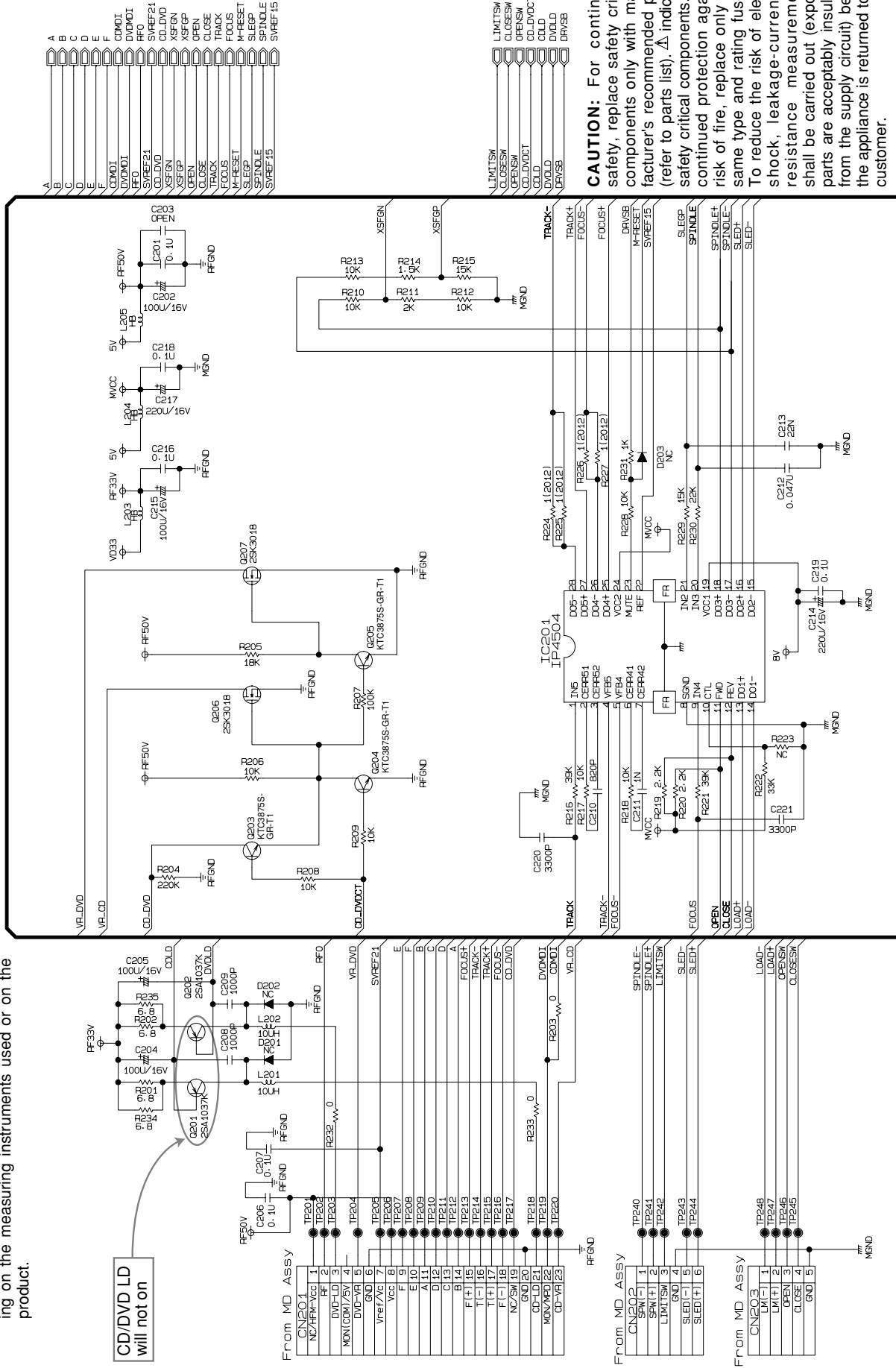
The DC voltage is an actual reading measured with a high impedance type voltmeter with no signal input. The measurement value may vary depending on the measuring instruments used or on the product.

★ OPTIONAL PART

| MODE          | IC502   | F576 | F578 | F577 | F551 | RS1A1-RS4A | RS1A5-RS4B | IC507 | F579 | F583 | F584 |
|---------------|---------|------|------|------|------|------------|------------|-------|------|------|------|
| Normal Mode1  | 1M48bit | NC   | NC   | OR   | 10K  | OR         | OR         | NC    | NC   | 10K  | NC   |
| Divx with smi | 2M48bit | OR   | 10K  | NC   | NC   | NC         | NC         | Use   | 1K   | NC   | 10K  |

# DVF-3080-S/8100

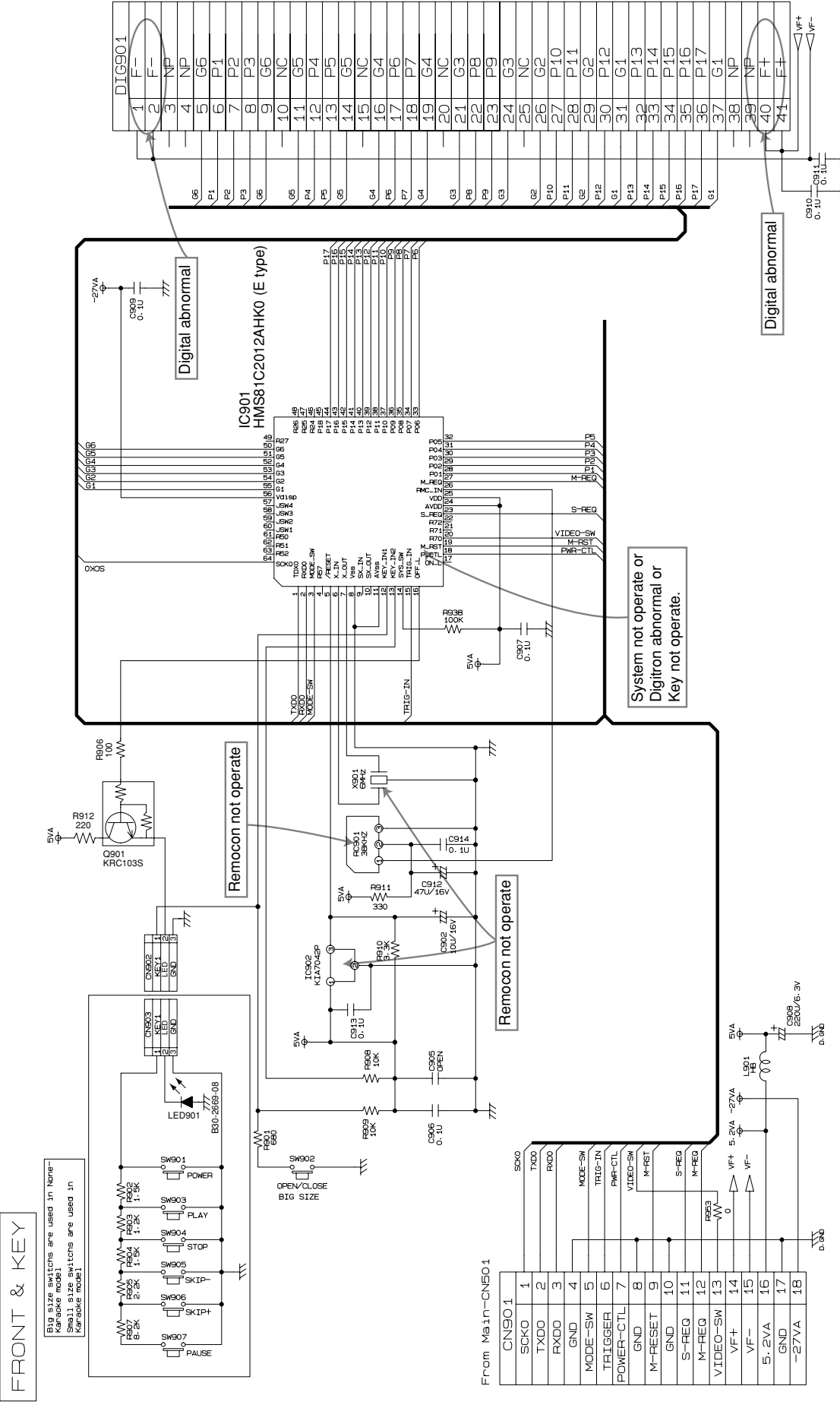
## 4. DRIVER CIRCUIT DIAGRAM



The DC voltage is an actual reading measured with a high impedance type voltmeter with no signal input. The measurement value may vary depending on the measuring instruments used or on the product.

CD/DVD LD will not on

## 5. FRONT & KEY CIRCUIT DIAGRAM



**CAUTION:** For continued safety, replace safety critical components only with manufacturer's recommended parts (refer to parts list).  $\Delta$  indicates safety critical components. For continued protection against risk of fire, replace only with same type and rating fuse(s). To reduce the risk of electric shock, leakage-current or resistance measurements shall be carried out (exposed parts are acceptably insulated from the supply circuit) before the appliance is returned to the customer.

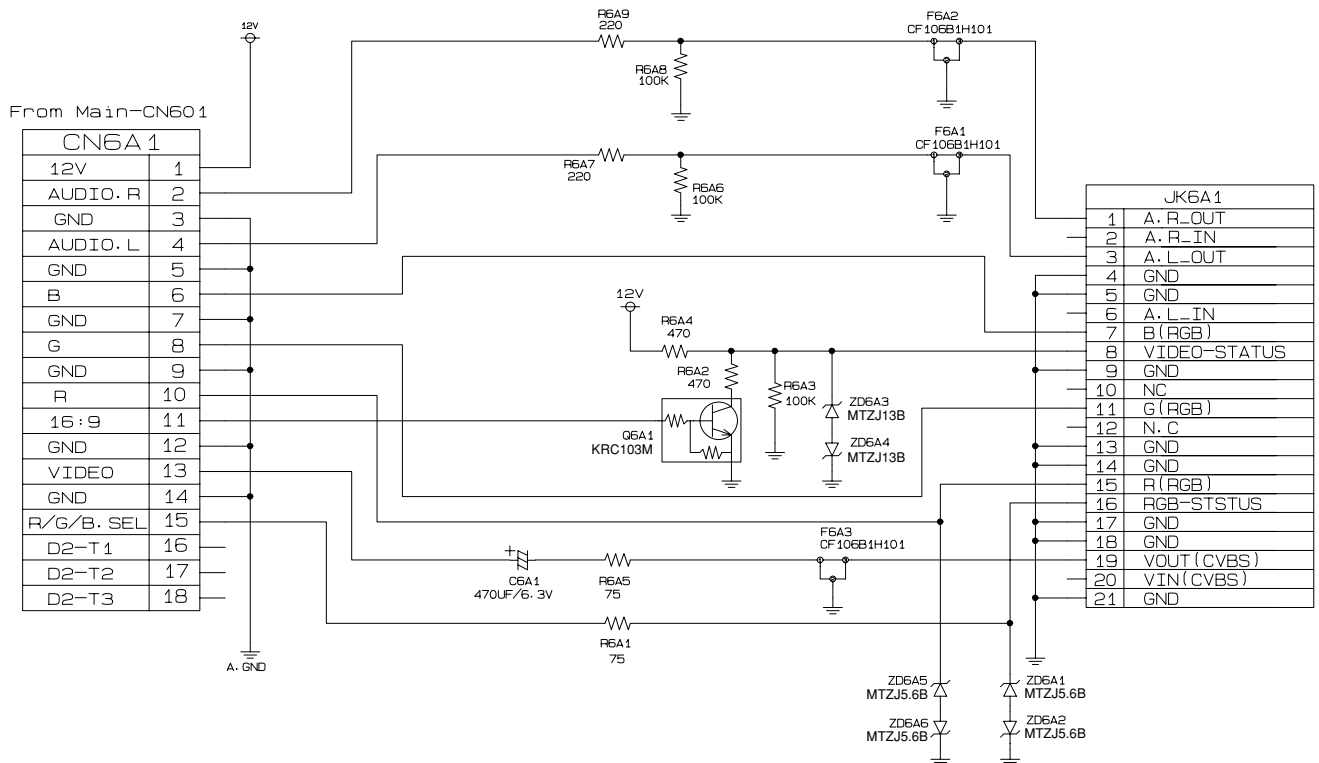
The DC voltage is an actual reading measured with a high impedance type voltmeter with no signal input. The measurement value may vary depending on the measuring instruments used or on the product.

## DVF-3080-S/8100

## 6. SCART CIRCUIT DIAGRAM

SCART OPTION

All stuffs are used for Scart Model Only !!!



**CAUTION:** For continued safety, replace safety critical components only with manufacturer's recommended parts (refer to parts list). ⚠ indicates safety critical components. For continued protection against risk of fire, replace only with same type and rating fuse(s). To reduce the risk of electric shock, leakage-current or resistance measurements shall be carried out (exposed parts are acceptably insulated from the supply circuit) before the appliance is returned to the customer.

The DC voltage is an actual reading measured with a high impedance type voltmeter with no signal input. The measurement value may vary depending on the measuring instruments used or on the product.



\* New Parts  
 Parts without **Parts No.** are not supplied.  
 Les articles non mentionnés dans le **Parts No.** ne sont pas fournis.  
 Teile ohne **Parts No.** werden nicht geliefert.

①

| Ref. No                        | Add-ress | New Parts | Parts No.   | Description     | Desti-nation | Re-marks |
|--------------------------------|----------|-----------|-------------|-----------------|--------------|----------|
| <b>DVF-3080(3)/DVF-8100(8)</b> |          |           |             |                 |              |          |
| -                              |          | *         | H50-4932-08 | BOX             | 3890R-C177A  | E3       |
| -                              |          | *         | H50-4934-08 | BOX             | 3890R-C177B  | X3       |
| -                              |          | *         | H50-4936-08 | BOX             | 3890R-C177C  | E8       |
| -                              |          | *         | H50-4935-08 | BOX             | 3890R-C177E  | K8P8     |
| -                              |          | *         | H50-4933-08 | BOX             | 3890R-C177F  | Y3       |
| -                              |          | *         | H50-4931-08 | BOX             | 3890R-C177G  | K3P3     |
| -                              |          | *         | H10-7931-08 | PACKING,CASING  | 3920R-E103A  |          |
| -                              |          | *         | B60-5480-08 | INSTRUCTION(EG) |              |          |
| -                              |          | *         | B60-5481-08 | INSTRUCTION(FR) |              | E3E8     |
| -                              |          | *         | B60-5481-08 | INSTRUCTION(FR) |              | P3P8     |
| -                              |          | *         | B60-5482-08 | INSTRUCTION(4L) |              | E3E8     |
| 10                             | 1C       | *         | E35-3718-08 | CABLE,FLAT      | 6850R-JW24Y  |          |
| 13                             | 1B       | *         | D16-0805-08 | BELT            | 4400R-0006B  |          |
| 16                             | 1C,2C    | *         | W02-4587-08 | PWB(PCB) ASSEM  | 6871R-9288A  |          |
| 35A                            | 1C,2C    | *         | E35-3719-08 | CABLE,FLAT      | 6850R-GF10Z  |          |
| 51                             | 1C       | *         | D40-1837-08 | BASE ASSEMBLY   | 3041R-D008A  |          |
| 601                            | 1B       | *         | A01-3925-08 | CASE            | 3110R-D013D  |          |
| 604                            | 2A       | *         | A60-2388-08 | FRONT PANEL     |              | E8       |
| 604                            | 2A       | *         | A60-2389-08 | FRONT PANEL     |              | K8P8     |
| 604                            | 2A       | *         | A60-2386-08 | FRONT PANEL     |              | K3P3     |
| 604                            | 2A       | *         | A60-2387-08 | FRONT PANEL     |              | E3Y3X3   |
| 605                            | 2B,2C    | *         | G11-2956-08 | RUBBER          | 5040R-0069L  |          |
| 606                            | 1C       | *         | E30-7331-08 | POWER CORD      | 6410RKH03A   | X        |
| 606                            | 1C       | *         | E30-7319-08 | POWER CORD      | 6410RAHX03A  | KPY      |
| 606                            | 1C       | *         | E30-7320-08 | POWER CORD      | 6410RCHX03A  | E        |
| 607                            | 1A       | *         | E30-7332-08 | PLUG ASSY(VID)  | 6611R1D003A  | KPY      |
| 607                            | 1A       | *         | E30-7333-08 | PLUG ASSY(VID)  | 6611R1G001A  | EX       |
| 608                            | 1A       | *         | E30-7334-08 | PLUG ASSY(AUD)  | 6611R2D003A  | KPY      |
| 608                            | 1A       | *         | E30-7335-08 | PLUG ASSY(AUD)  | 6611R2G001A  | EX       |
| 609                            | 1A       | *         | A70-1660-08 | REMOTE CONTROL  | 6711R1N166A  |          |
| 610                            | 1B       | *         | D40-1829-08 | DECK ASSEMBLY,  | 6721RHD030A  |          |
| 613                            | 2C       | *         | W02-4574-08 | SUB PWB(PCB) A  | 6885R-1029N  | P3       |
| 613                            | 2C       | *         | W02-4576-08 | SUB PWB(PCB) A  | 6885R-1029E  | X3       |
| 613                            | 2C       | *         | W02-4578-08 | SUB PWB(PCB) A  | 6885R-1029J  | K8       |
| 613                            | 2C       | *         | W02-4575-08 | SUB PWB(PCB) A  | 6885R-1029L  | Y3       |
| 613                            | 2C       | *         | W02-4583-08 | SUB PWB(PCB) A  | 6885R-1029P  | E8       |
| 613                            | 2C       | *         | W02-4579-08 | SUB PWB(PCB) A  | 6885R-1030H  | P8       |
| 613                            | 2C       | *         | W02-4558-08 | SUB PWB(PCB) A  | 6885R-1028B  | K3       |
| 613                            | 2C       | *         | W02-4559-08 | SUB PWB(PCB) A  | 6885R-1027F  | E3       |
| 620                            | 1A       | *         | E30-7336-08 | PLUG ASSY(COX)  | 6611R1G002A  | EX       |
| 620                            | 1A       | *         | E30-7337-08 | PLUG ASSY(COX)  | 564-017E     | KPY      |
| 621                            | 2A       | *         | B43-0336-04 | BADGE           |              |          |
| 622                            | 2A       | *         | A29-1235-08 | TRAY PANEL      |              | K3P3Y3   |
| 622                            | 2A       | *         | A29-1236-08 | TRAY PANEL      |              | E3X3     |
| 622                            | 2A       | *         | A29-1237-08 | TRAY PANEL ASSY |              | K8P8     |
| 622                            | 2A       | *         | A29-1238-08 | TRAY PANEL ASSY |              | E8       |
| 623                            | 2A,2B    | *         | B03-3945-08 | WINDOW,DECO     | 3790R-D356A  |          |
| 624                            | 2A       | *         | A50-1418-08 | COVER L         | 3550R-1002A  |          |
| 625                            | 2B       | *         | A50-1419-08 | COVER R         | 3550R-1003A  |          |
| 626                            | 2B,2C    | *         | E35-3723-08 | CABLE,FLAT      |              | KPY      |
| 626                            | 2B,2C    | *         | E35-3724-08 | CABLE,FLAT      |              | EX       |
| 627                            | 1C,2C    | *         | E35-3727-08 | CABLE,FLAT      |              | E        |
| 647                            | 1B       | *         | W02-4573-08 | PWB(PCB) ASSEM  | 6871R-7184C  | Y        |
| 647                            | 1B       | *         | W02-4556-08 | PWB(PCB) ASSEM  | 6871R-7184B  | KP       |
| 647                            | 1B       | *         | W02-4557-08 | PWB(PCB) ASSEM  | 6871R-7184A  | EX       |

L : Scandinavia K : USA P : Canada R : Mexico C : China I : Malaysia  
 Y : PX(Far East,Hawaii) T : England E : Europe G : Germany V : China(Shanghai)  
 Y : AAFES(Europe) X : Australia Q : Russia H : Korea M : Other Areas Δ indicates safety critical components.

\* New Parts  
 Parts without **Parts No.** are not supplied.  
 Les articles non mentionnés dans le **Parts No.** ne sont pas fournis.  
 Teile ohne **Parts No.** werden nicht geliefert.

②

| Ref. No         | Add-ress | New Parts | Parts No.     | Description   | Desti-nation | Re-marks |
|-----------------|----------|-----------|---------------|---------------|--------------|----------|
| J               |          | *         | N09-5520-08   | SCREW,DRAWING | 353-051G     |          |
| K               |          | *         | N89-3010-45   | SCREW,DRAWING | 353-046K     |          |
| L               |          | *         | N89-3008-45   | SCREW,DRAWING | 353-046N     |          |
| M               |          | *         | N09-5521-08   | SCREW,DRAWING | 353-051A     |          |
| <b>MAIN PCB</b> |          |           |               |               |              |          |
| LED901          |          | *         | B30-2669-08   | DIODE,LED     | 0DL112000AJ  |          |
| C6A1            |          | *         | CE04KW0J471M  | ELECTRO       | 470UF 6.3WV  | E        |
| C6W1            |          | *         | CK73GB1A105Z  | CHIP C        | 1.0UF Z      |          |
| C6W2            |          | *         | CC73GCH1H101J | CHIP C        | 100PF J      |          |
| C6W3            |          | *         | CE04KW1C100M  | ELECTRO       | 10UF 16WV    | E        |
| C6W4            |          | *         | CK73GB1H104Z  | CHIP C        | 0.10UF Z     |          |
| C201            |          | *         | CK73GB1H104Z  | CHIP C        | 0.10UF Z     |          |
| C202            |          | *         | CE04KW1C101M  | ELECTRO       | 100UF 16WV   |          |
| C204,5          |          | *         | CE04KW1C101M  | ELECTRO       | 100UF 16WV   |          |
| C206,7          |          | *         | CK73GB1H104Z  | CHIP C        | 0.10UF Z     |          |
| C208,9          |          | *         | CK73GB1H102K  | CHIP C        | 1000PF K     |          |
| C210            |          | *         | CK73GB1H821K  | CHIP C        | 820PF K      |          |
| C211            |          | *         | CK73GB1H102K  | CHIP C        | 1000PF K     |          |
| C212            |          | *         | CK73GB1H473K  | CHIP C        | 0.047UF K    |          |
| C213            |          | *         | CK73GB1H223K  | CHIP C        | 0.022UF K    |          |
| C214            |          | *         | CE04KW1C221M  | ELECTRO       | 220UF 16WV   |          |
| C215            |          | *         | CE04KW1C101M  | ELECTRO       | 100UF 16WV   |          |
| C216            |          | *         | CK73GB1H104Z  | CHIP C        | 0.10UF Z     |          |
| C217            |          | *         | CE04KW0J221M  | ELECTRO       | 220UF 6.3WV  | E        |
| C217            |          | *         | CE04KW1C221M  | ELECTRO       | 220UF 16WV   | KPY      |
| C218,9          |          | *         | CK73GB1H104Z  | CHIP C        | 0.10UF Z     |          |
| C220,1          |          | *         | CK73GB1H332K  | CHIP C        | 3300PF K     |          |
| C501            |          | *         | CE04KW1C470M  | ELECTRO       | 47UF 16WV    |          |
| C502,3          |          | *         | CK73GB1H104Z  | CHIP C        | 0.10UF Z     |          |
| C504            |          | *         | CE04KW1C470M  | ELECTRO       | 47UF 16WV    |          |
| C505            |          | *         | CK73GB1H104Z  | CHIP C        | 0.10UF Z     |          |
| C506            |          | *         | CE04KW1C100M  | ELECTRO       | 10UF 16WV    |          |
| C507            |          | *         | CE04KW1H010M  | ELECTRO       | 1.0UF 50WV   |          |
| C508            |          | *         | CE04KW1C101M  | ELECTRO       | 100UF 16WV   |          |
| C509            |          | *         | CC73GCH1H471J | CHIP C        | 470PF J      |          |
| C510,1          |          | *         | CC73GCH1H220J | CHIP C        | 22PF J       |          |
| C512            |          | *         | CK73GB1H104Z  | CHIP C        | 0.10UF Z     |          |
| C513            |          | *         | CE04KW1C100M  | ELECTRO       | 10UF 16WV    |          |
| C514,5          |          | *         | CK73GB1H561J  | CHIP C        | 560PF J      |          |
| C516,7          |          | *         | CK73GB1H102K  | CHIP C        | 1000PF K     |          |
| C518            |          | *         | CK73GB1H104Z  | CHIP C        | 0.10UF Z     |          |
| C519-23         |          | *         | CK73GB1H102K  | CHIP C        | 1000PF K     |          |
| C524-31         |          | *         | CK73GB1H104Z  | CHIP C        | 0.10UF Z     |          |
| C532            |          | *         | CK73GB1H331J  | CHIP C        | 330PF J      |          |
| C533            |          | *         | CK73GB1H104Z  | CHIP C        | 0.10UF Z     |          |
| C534,5          |          | *         | CC73GCH1H471J | CHIP C        | 470PF J      |          |
| C536            |          | *         | CK73GB1C224Z  | CHIP C        | 0.22UF Z     |          |
| C537            |          | *         | CK73GB1H391J  | CHIP C        | 390PF J      |          |
| C538            |          | *         | CK73GB1H104Z  | CHIP C        | 0.10UF Z     |          |
| C539            |          | *         | CE04KW1C100M  | ELECTRO       | 10UF 16WV    |          |
| C540,1          |          | *         | CK73GB1H104Z  | CHIP C        | 0.10UF Z     |          |
| C542            |          | *         | CE04KW1C101M  | ELECTRO       | 100UF 16WV   |          |
| C543            |          | *         | CK73GB1H104Z  | CHIP C        | 0.10UF Z     |          |
| C544            |          | *         | CE04KW1C101M  | ELECTRO       | 100UF 16WV   |          |
| C545            |          | *         | CK73GB1H104Z  | CHIP C        | 0.10UF Z     |          |

L : Scandinavia K : USA P : Canada R : Mexico C : China I : Malaysia  
 Y : PX(Far East,Hawaii) T : England E : Europe G : Germany V : China(Shanghai)  
 Y : AAFES(Europe) X : Australia Q : Russia H : Korea M : Other Areas Δ indicates safety critical components.

PARTS LIST

DVF-3080-S/8100

\* New Parts  
Parts without **Parts No.** are not supplied.  
Les articles non mentionnés dans le **Parts No.** ne sont pas fournis.  
Teile ohne **Parts No.** werden nicht geliefert.

③

| Ref. No                                    | Add-ress | New Parts | Parts No.  | Description  | Desti-nation | Re-marks |
|--|----------|-----------|--|--|--------------|----------|
| C546,7<br>C548-53<br>C554,5                |          |           | CC73GCH1H221J<br>CK73GB1H104Z<br>CC73GCH1H221J                                 | CHIP C 220PF J<br>CHIP C 0.10UF Z<br>CHIP C 220PF J  |              |          |
| C556-9<br>C560<br>C562<br>C563<br>C564-7   |          |           | CK73GB1H104Z<br>CE04KW1C221M<br>CK73GB1H104Z<br>CE04KW1C221M<br>CK73GB1H104Z   | CHIP C 0.10UF Z<br>ELECTRO 220UF 16WV<br>CHIP C 0.10UF Z<br>ELECTRO 220UF 16WV<br>CHIP C 0.10UF Z              |              |          |
| C568<br>C569<br>C570<br>C571-6<br>C577     |          |           | CE04KW1C101M<br>CK73GB1H104Z<br>CC73GCH1H270J<br>CK73GB1H104Z<br>CE04KW1C101M  | ELECTRO 100UF 16WV<br>CHIP C 0.10UF Z<br>CHIP C 27PF J<br>CHIP C 0.10UF Z<br>ELECTRO 100UF 16WV                |              |          |
| C579<br>C580-6<br>C587<br>C588-98<br>C599  |          |           | CE04KW1C221M<br>CK73GB1H104Z<br>CE04KW1C221M<br>CK73GB1H104Z<br>CC73GCH1H470J  | ELECTRO 220UF 16WV<br>CHIP C 0.10UF Z<br>ELECTRO 220UF 16WV<br>CHIP C 0.10UF Z<br>CHIP C 47PF J                |              |          |
| C600<br>C601<br>C602<br>C603<br>C604       |          |           | CE04KW1C101M<br>CK73GB1H104Z<br>CE04KW1H010M<br>CK73GB1H104Z<br>CE04KW1H010M   | ELECTRO 100UF 16WV<br>CHIP C 0.10UF Z<br>ELECTRO 1.0UF 50WV<br>CHIP C 0.10UF Z<br>ELECTRO 1.0UF 50WV           |              |          |
| C605<br>C606<br>C607-10<br>C611<br>C612,3  |          |           | CK73GB1H104Z<br>CE04KW1C101M<br>CE04KW1C470M<br>CK73GB1H102K<br>CC73GCH1H271J  | CHIP C 0.10UF Z<br>ELECTRO 100UF 16WV<br>ELECTRO 47UF 16WV<br>CHIP C 1000PF K<br>CHIP C 270PF J                |              |          |
| C614<br>C615<br>C616<br>C617<br>C618       |          |           | CE04KW1C221M<br>CC73GCH1H271J<br>CK73GB1H102K<br>CC73GCH1H271J<br>CK73GB1H104Z | ELECTRO 220UF 16WV<br>CHIP C 270PF J<br>CHIP C 1000PF K<br>CHIP C 270PF J<br>CHIP C 0.10UF Z                   |              |          |
| C619<br>C620,1<br>C622,3<br>C624<br>C625-7 |          |           | CE04KW1C101M<br>CE04KW1C470M<br>CK73GB1H392K<br>CE04KW1H010M<br>CE04KW1H010M   | ELECTRO 100UF 16WV<br>ELECTRO 47UF 16WV<br>CHIP C 3900PF K<br>ELECTRO 1.0UF 50WV<br>ELECTRO 1.0UF 50WV         | KPXY         |          |
| C629<br>C630<br>C631<br>C632<br>C633       |          |           | CE04KW1C101M<br>CK73GB1H104Z<br>CE04KW1C220M<br>CK73GB1H104Z<br>CE04KW0J471M   | ELECTRO 100UF 16WV<br>CHIP C 0.10UF Z<br>ELECTRO 22UF 16WV<br>CHIP C 0.10UF Z<br>ELECTRO 470UF 6.3WV           |              | KPXY     |
| C634<br>C635<br>C636,7<br>C638<br>C639     |          |           | CE04KW0J102M<br>CE04KW0J102M<br>CE04KW0J471M<br>CE04KW0J102M<br>CK73GB1H104Z   | ELECTRO 1000UF 6.3WV<br>ELECTRO 1000UF 6.3WV<br>ELECTRO 470UF 6.3WV<br>ELECTRO 1000UF 6.3WV<br>CHIP C 0.10UF Z | KPXY         |          |
| C640<br>C641<br>C642<br>C643<br>C644       |          |           | CE04KW0J221M<br>CK73GB1H104Z<br>CE04KW1H010M<br>CK73GB1H104Z<br>CE04KW1H010M   | ELECTRO 220UF 6.3WV<br>CHIP C 0.10UF Z<br>ELECTRO 1.0UF 50WV<br>CHIP C 0.10UF Z<br>ELECTRO 1.0UF 50WV          | KPXY         |          |
| C645,6<br>C902                             |          |           | CC73GCH1H101J<br>CE04KW1C100M  | CHIP C 100PF J<br>ELECTRO 10UF 16WV  |              |          |

L : Scandinavia K : USA P : Canada R : Mexico C : China I : Malaysia  
Y : PX(Far East,Hawaii) T : England E : Europe G : Germany V : China(Shanghai)  
Y : AAFES(Europe) X : Australia Q : Russia H : Korea M : Other Areas  $\Delta$  indicates safety critical components.

\* New Parts  
Parts without **Parts No.** are not supplied.  
Les articles non mentionnés dans le **Parts No.** ne sont pas fournis.  
Teile ohne **Parts No.** werden nicht geliefert.

④

| Ref. No                                    | Add-ress | New Parts | Parts No.  | Description  | Desti-nation | Re-marks              |
|--|----------|-----------|--|--|--------------|-----------------------|
| C906,7<br>C908<br>C909-11                  |          |           | CK73GB1H104Z<br>CE04KW0J221M<br>CK73GB1H104Z                                 | CHIP C 0.10UF Z<br>ELECTRO 220UF 6.3WV<br>CHIP C 0.10UF Z  |              |                       |
| C912<br>C913,4<br>JK6A1<br>JK601<br>JK601  |          | *         | CE04KW1C470M<br>CK73GB1H104Z<br>E58-0073-08<br>E63-1355-08<br>E63-1356-08    | ELECTRO 47UF 16WV<br>CHIP C 0.10UF Z<br>JACK,SCART 6612M00003B<br>JACK,RCA 6612J00044B<br>JACK,RCA 6612J00044E                                     |              | E<br>KPXY<br>E        |
| F101<br>F101<br>F6A1-3<br>L201,2<br>L203-5 |          | *         | F53-0340-08<br>F53-0341-08<br>L72-0647-08<br>L33-1686-08<br>L92-0582-08      | FUSE,SLOW BLOW 0FS1601B51B<br>FUSE,SLOW BLOW 0FS1601B51D<br>FILTER(CIRC) 6200HJC901A<br>INDUCTOR,RADIA 0LR0102J025<br>FILTER(CIRC),E 6200HJC102A   |              | KPY<br>EX<br>E        |
| L501<br>L502<br>L503-8<br>L600-4<br>L901   |          | *         | L92-0582-08<br>L33-1687-08<br>L92-0582-08<br>L92-0582-08<br>L92-0582-08      | FILTER(CIRC),E 6200HJC102A<br>INDUCTOR,CHIP 0LCC0E00004L<br>FILTER(CIRC),E 6200HJC102A<br>FILTER(CIRC),E 6200HJC102A<br>FILTER(CIRC),E 6200HJC102A |              |                       |
| X501<br>X901<br>R5A1-8<br>R6A1<br>R6W1     |          | *         | L77-2439-08<br>L78-0770-08<br>RK73GB1J000J<br>RD14BB2C750J<br>RK73GB1J221J   | RESONATOR,CRYS 6202R-BL06C<br>RESONATOR,CERA 6212BA3004A<br>CHIP R 0 J 1/16W<br>RD 75 J 1/6W<br>CHIP R 220 J 1/16W                                 |              | E                     |
| R6A2<br>R6T2<br>R6W2<br>R6A3<br>R6W3       |          |           | RD14BB2C471J<br>RK73GB1J000J<br>RK73GB1J111J<br>RD14BB2C104J<br>RK73GB1J220J | RD 470 J 1/6W<br>CHIP R 0 J 1/16W<br>CHIP R 110 J 1/16W<br>RD 100K J 1/6W<br>CHIP R 22 J 1/16W   |              | E<br>E<br>E           |
| R6A4<br>R6A5<br>R6A6<br>R6A7<br>R6A8       |          |           | RD14BB2C471J<br>RD14BB2C750J<br>RD14BB2C104J<br>RD14BB2C220J<br>RD14BB2C104J | RD 470 J 1/6W<br>RD 75 J 1/6W<br>RD 100K J 1/6W<br>RD 22 J 1/6W<br>RD 100K J 1/6W  |              | E<br>E<br>E<br>E<br>E |
| R6A9<br>R201,2<br>R203<br>R204<br>R205     |          |           | RD14BB2C220J<br>RK73GB1J6R8J<br>RK73GB1J000J<br>RK73GB1J224J<br>RK73GB1J183J | RD 22 J 1/6W<br>CHIP R 6.8 J 1/16W<br>CHIP R 0 J 1/16W<br>CHIP R 220K J 1/16W<br>CHIP R 18K J 1/16W  |              | E                     |
| R206<br>R207<br>R208-10<br>R211<br>R212,3  |          |           | RK73GB1J103J<br>RK73GB1J104J<br>RK73GB1J103J<br>RK73GB1J202J<br>RK73GB1J103J | CHIP R 10K J 1/16W<br>CHIP R 100K J 1/16W<br>CHIP R 10K J 1/16W<br>CHIP R 2.0K J 1/16W<br>CHIP R 10K J 1/16W                                       |              |                       |
| R214<br>R215<br>R216<br>R217<br>R218       |          |           | RK73GB1J152J<br>RK73GB1J153J<br>RK73GB1J393J<br>RK73GB1J562J<br>RK73GB1J103J | CHIP R 1.5K J 1/16W<br>CHIP R 15K J 1/16W<br>CHIP R 39K J 1/16W<br>CHIP R 5.6K J 1/16W<br>CHIP R 10K J 1/16W                                       |              |                       |
| R219,20<br>R221<br>R222<br>R224-7<br>R228  |          |           | RK73GB1J222J<br>RK73GB1J393J<br>RK73GB1J333J<br>RK73FB2A010J<br>RK73GB1J103J | CHIP R 2.2K J 1/16W<br>CHIP R 39K J 1/16W<br>CHIP R 33K J 1/16W<br>CHIP R 1 J 1/10W<br>CHIP R 10K J 1/16W  |              |                       |
| R229<br>R230                               |          |           | RK73GB1J153J<br>RK73GB1J223J   | CHIP R 15K J 1/16W<br>CHIP R 22K J 1/16W   |              |                       |

L : Scandinavia K : USA P : Canada R : Mexico C : China I : Malaysia  
Y : PX(Far East,Hawaii) T : England E : Europe G : Germany V : China(Shanghai)  
Y : AAFES(Europe) X : Australia Q : Russia H : Korea M : Other Areas  $\Delta$  indicates safety critical components.

\* New Parts  
Parts without **Parts No.** are not supplied.  
Les articles non mentionnés dans le **Parts No.** ne sont pas fournis.  
Teile ohne **Parts No.** werden nicht geliefert.

5

| Ref. No | Address | New Parts | Parts No.    | Description         | Destination | Remarks |
|---------|---------|-----------|--------------|---------------------|-------------|---------|
| R231    |         |           | RK73GB1J102J | CHIP R 1.0K J 1/16W | KPYX<br>E   |         |
| R232,3  |         |           | RK73GB1J000J | CHIP R 0 J 1/16W    |             |         |
| R234,5  |         |           | RK73GB1J6R8J | CHIP R 6.8 J 1/16W  |             |         |
| R501    |         |           | RK73GB1J103J | CHIP R 10K J 1/16W  |             |         |
| R502    |         |           | RK73GB1J104J | CHIP R 100K J 1/16W |             |         |
| R503    |         |           | RK73FB2A5R6J | CHIP R 5.6 J 1/10W  |             |         |
| R503    |         |           | RK73FB2A9R1J | CHIP R 9.1 J 1/10W  |             |         |
| R504    |         |           | RK73FB2A561J | CHIP R 560 J 1/10W  |             |         |
| R505-8  |         |           | RK73GB1J472J | CHIP R 4.7K J 1/16W |             |         |
| R512-18 |         |           | RK73GB1J101J | CHIP R 100 J 1/16W  |             |         |
| R519-25 |         |           | RK73GB1J330J | CHIP R 33 J 1/16W   |             |         |
| R526    |         |           | RK73FB2A100J | CHIP R 10 J 1/10W   |             |         |
| R527    |         |           | RK73GB1J472J | CHIP R 4.7K J 1/16W |             |         |
| R530    |         |           | RK73GB1J330J | CHIP R 33 J 1/16W   |             |         |
| R531    |         |           | RK73GB1J105J | CHIP R 1.0M J 1/16W |             |         |
| R532    |         |           | RK73GB1J473J | CHIP R 47K J 1/16W  |             |         |
| R533-5  |         |           | RK73GB1J122J | CHIP R 1.2K J 1/16W |             |         |
| R536,7  |         |           | RK73GB1J000J | CHIP R 0 J 1/16W    |             |         |
| R538    |         |           | RK73GB1J122J | CHIP R 1.2K J 1/16W |             |         |
| R539    |         |           | RK73GB1J000J | CHIP R 0 J 1/16W    |             |         |
| R541    |         |           | RK73GB1J330J | CHIP R 33 J 1/16W   |             |         |
| R542-4  |         |           | RK73GB1J000J | CHIP R 0 J 1/16W    |             |         |
| R545    |         |           | RK73GB1J103J | CHIP R 10K J 1/16W  |             |         |
| R546,7  |         |           | RK73GB1J332J | CHIP R 3.3K J 1/16W |             |         |
| R550    |         |           | RK73GB1J472J | CHIP R 4.7K J 1/16W |             |         |
| R551    |         |           | RK73GB1J103J | CHIP R 10K J 1/16W  |             |         |
| R552    |         |           | RK73GB1J000J | CHIP R 0 J 1/16W    |             |         |
| R553,4  |         |           | RK73GB1J330J | CHIP R 33 J 1/16W   |             |         |
| R556,7  |         |           | RK73GB1J000J | CHIP R 0 J 1/16W    |             |         |
| R559    |         |           | RK73GB1J000J | CHIP R 0 J 1/16W    |             |         |
| R561,2  |         |           | RK73GB1J472J | CHIP R 4.7K J 1/16W |             |         |
| R563    |         |           | RK73GB1J123J | CHIP R 12K J 1/16W  |             |         |
| R568    |         |           | RK73GB1J122J | CHIP R 1.2K J 1/16W |             |         |
| R577    |         |           | RK73GB1J000J | CHIP R 0 J 1/16W    |             |         |
| R580    |         |           | RK73GB1J103J | CHIP R 10K J 1/16W  |             |         |
| R582    |         |           | RK73GB1J000J | CHIP R 0 J 1/16W    |             |         |
| R583    |         |           | RK73GB1J103J | CHIP R 10K J 1/16W  |             |         |
| R601-4  |         |           | RK73GB1J752J | CHIP R 7.5K J 1/16W |             |         |
| R605    |         |           | RK73GB1J562J | CHIP R 5.6K J 1/16W |             |         |
| R606    |         |           | RK73GB1J472J | CHIP R 4.7K J 1/16W |             |         |
| R607    |         |           | RK73GB1J822J | CHIP R 8.2K J 1/16W |             |         |
| R608,9  |         |           | RK73GB1J182J | CHIP R 1.8K J 1/16W |             |         |
| R610,1  |         |           | RK73GB1J822J | CHIP R 8.2K J 1/16W |             |         |
| R612,3  |         |           | RK73GB1J182J | CHIP R 1.8K J 1/16W |             |         |
| R614    |         |           | RK73GB1J822J | CHIP R 8.2K J 1/16W |             |         |
| R615    |         |           | RK73GB1J330J | CHIP R 33 J 1/16W   |             |         |
| R616,7  |         |           | RK73GB1J331J | CHIP R 330 J 1/16W  |             |         |
| R618,9  |         |           | RK73GB1J221J | CHIP R 220 J 1/16W  |             |         |
| R620,1  |         |           | RK73GB1J104J | CHIP R 100K J 1/16W |             |         |
| R622    |         |           | RK73GB1J102J | CHIP R 1.0K J 1/16W |             |         |
| R623,4  |         |           | RK73GB1J472J | CHIP R 4.7K J 1/16W |             |         |
| R625-8  |         |           | RK73GB1J102J | CHIP R 1.0K J 1/16W |             |         |
| R629-32 |         |           | RK73GB1J750J | CHIP R 75 J 1/16W   |             |         |
| R633    |         |           | RK73GB1J472J | CHIP R 4.7K J 1/16W |             |         |
| R634    |         |           | RK73GB1J562J | CHIP R 5.6K J 1/16W |             |         |

L : Scandinavia K : USA P : Canada R : Mexico C : China I : Malaysia  
Y : PX(Far East,Hawaii) T : England E : Europe G : Germany V : China(Shanghai)  
Y : AAFES(Europe) X : Australia Q : Russia H : Korea M : Other Areas  $\Delta$  indicates safety critical components.

\* New Parts  
Parts without **Parts No.** are not supplied.  
Les articles non mentionnés dans le **Parts No.** ne sont pas fournis.  
Teile ohne **Parts No.** werden nicht geliefert.

5

| Ref. No | Address | New Parts | Parts No.      | Description                 | Destination | Remarks |
|---------|---------|-----------|----------------|-----------------------------|-------------|---------|
| R635    |         |           | RK73GB1J000J   | CHIP R 0 J 1/16W            | E           |         |
| R637    |         |           | RK73GB1J000J   | CHIP R 0 J 1/16W            |             |         |
| R638-46 |         |           | RK73GB1J750J   | CHIP R 75 J 1/16W           |             |         |
| R647    |         |           | RK73GB1J103J   | CHIP R 10K J 1/16W          |             |         |
| R648    |         |           | RK73GB1J750J   | CHIP R 75 J 1/16W           |             |         |
| R650    |         |           | RK73GB1J750J   | CHIP R 75 J 1/16W           |             |         |
| R651    |         |           | RK73GB1J750J   | CHIP R 75 J 1/16W           |             |         |
| R652    |         |           | RK73GB1J102J   | CHIP R 1.0K J 1/16W         |             |         |
| R656,7  |         |           | RK73GB1J000J   | CHIP R 0 J 1/16W            |             |         |
| R658    |         |           | RK73GB1J472J   | CHIP R 4.7K J 1/16W         |             |         |
| R659    |         |           | RK73GB1J000J   | CHIP R 0 J 1/16W            |             |         |
| R660    |         |           | RK73GB1J750J   | CHIP R 75 J 1/16W           |             |         |
| R661    |         |           | RK73GB1J680J   | CHIP R 68 J 1/16W           |             |         |
| R661    |         |           | RK73GB1J821J   | CHIP R 820 J 1/16W          | KPYX        |         |
| R662    |         |           | RK73GB1J750J   | CHIP R 75 J 1/16W           | E           |         |
| R663,4  |         |           | RK73GB1J680J   | CHIP R 68 J 1/16W           | E           |         |
| R663,4  |         |           | RK73GB1J821J   | CHIP R 820 J 1/16W          | KPYX        |         |
| R666    |         |           | RK73GB1J000J   | CHIP R 0 J 1/16W            | KPYX        |         |
| R668    |         |           | RK73GB1J000J   | CHIP R 0 J 1/16W            |             |         |
| R901    |         |           | RK73GB1J681J   | CHIP R 680 J 1/16W          |             |         |
| R902    |         |           | RD14BB2C152J   | RD 1.5K J 1/6W              |             |         |
| R903    |         |           | RD14BB2C122J   | RD 1.2K J 1/6W              |             |         |
| R904    |         |           | RD14BB2C152J   | RD 1.5K J 1/6W              |             |         |
| R905    |         |           | RD14BB2C222J   | RD 2.2K J 1/6W              |             |         |
| R906    |         |           | RK73FB2B101J   | CHIP R 100 J 1/8W           |             |         |
| R907    |         |           | RD14BB2C822J   | RD 8.2K J 1/6W              |             |         |
| R908,9  |         |           | RK73GB1J103J   | CHIP R 10K J 1/16W          |             |         |
| R910    |         |           | RK73GB1J332J   | CHIP R 3.3K J 1/16W         |             |         |
| R911    |         |           | RK73GB1J331J   | CHIP R 330 J 1/16W          |             |         |
| R912    |         |           | RK73GB1J221J   | CHIP R 220 J 1/16W          |             |         |
| R938    |         |           | RK73GB1J104J   | CHIP R 100K J 1/16W         |             |         |
| R951    |         |           | RK73GB1J101J   | CHIP R 100 J 1/16W          |             |         |
| R953    |         |           | RK73GB1J000J   | CHIP R 0 J 1/16W            |             |         |
| SW901-7 | *       |           | S70-0113-08    | SWITCH,TACT 556-219B        |             |         |
| D600    | *       |           | DAP202K        | DIODE,SWITCHIN 0DSRM00118A  |             |         |
| DIG901  | *       |           | 6BT-341NK      | DIGITRON 6302R-V226A        |             |         |
| IC201   | *       |           | IP4504         | IC,LINEAR 01LNRIJ001A       | KPYX        |         |
| IC501   | *       |           | M3355A         | IC,LINEAR 01LNRAC003A       |             |         |
| IC501   | *       |           | M3355G         | IC,LINEAR 01LNRAC003G       | E           |         |
| IC502   | *       |           | KV8020001      | PROGRAM 6957R-018HT         | KPY         |         |
| IC502   | *       |           | KV8520002      | PROGRAM 6957R-018HE         | E           |         |
| IC502   | *       |           | KV8520004      | PROGRAM 6957R-020AC         | X           |         |
| IC503   | *       |           | IS42S16400A-7T | IC,MEMORIES 01MMRII006A     |             |         |
| IC504   | *       |           | S524A40X21SCT0 | IC,SAMSUNG ELE 01SS240210A  |             |         |
| IC506   | *       |           | 74LCX373MTCX   | IC,STANDARD LO 01STLFA104A  |             |         |
| IC601   | *       |           | CS4391-KZ      | IC,PERIPHERALS 01PRPCI003B  |             |         |
| IC602   | *       |           | NJM4580M       | IC,JRC 01JR458000B          |             |         |
| IC604   | *       |           | MM1623XFBE     | IC,PERIPHERALS 01PRPMT008A  |             |         |
| IC901   | *       |           | HMS81C2012AHKO | IC,MICRO CONTR 01MCRRHY070B |             |         |
| IC902   | *       |           | KIA7042P       | IC,KEC 01KE704200B          |             |         |
| Q6A1    | *       |           | KRC103M        | TRANSISTOR 0TR103009AE      | E           |         |
| Q201    | *       |           | 2SA1037K       | TRANSISTOR,BIP 0TR1037099BB |             |         |
| Q201    | *       |           | 2SA1980SY      | TRANSISTOR,BIP 0TRAU80008A  |             |         |
| Q202    | *       |           | 2SA1037K       | TRANSISTOR,BIP 0TR1037099BB |             |         |
| Q202    | *       |           | 2SA1980SY      | TRANSISTOR,BIP 0TRAU80008A  |             |         |

L : Scandinavia K : USA P : Canada R : Mexico C : China I : Malaysia  
Y : PX(Far East,Hawaii) T : England E : Europe G : Germany V : China(Shanghai)  
Y : AAFES(Europe) X : Australia Q : Russia H : Korea M : Other Areas  $\Delta$  indicates safety critical components.

PARTS LIST

DVF-3080-S/8100

# DVF-3080-S/8100

## PARTS LIST

7

\* New Parts  
 Parts without **Parts No.** are not supplied.  
 Les articles non mentionnés dans le **Parts No.** ne sont pas fournis.  
 Teile ohne **Parts No.** werden nicht geliefert.

| Ref. No | Add-ress | New Parts | Parts No.      | Description    | Desti-nation | Re-marks |
|---------|----------|-----------|----------------|----------------|--------------|----------|
| Q203    |          | *         | BC846ALT1      | TRANSISTOR,BIP |              |          |
| Q203    |          | *         | KTC3875S-GR-T1 | TRANSISTOR     |              |          |
| Q203    |          | *         | 2SC5343SG      | TRANSISTOR,BIP |              |          |
| Q204    |          | *         | BC846ALT1      | TRANSISTOR,BIP |              |          |
| Q204    |          | *         | KTC3875S-GR-T1 | TRANSISTOR     |              |          |
| Q204    |          | *         | 2SC5343SG      | TRANSISTOR,BIP |              |          |
| Q205    |          | *         | BC846ALT1      | TRANSISTOR,BIP |              |          |
| Q205    |          | *         | KTC3875S-GR-T1 | TRANSISTOR     |              |          |
| Q205    |          | *         | 2SC5343SG      | TRANSISTOR,BIP |              |          |
| Q206,7  |          | *         | 2SK3018        | TRANSISTOR,BIP |              |          |
| Q501    |          | *         | BC846ALT1      | TRANSISTOR,BIP |              |          |
| Q501    |          | *         | KTC3875S-GR-T1 | TRANSISTOR     |              |          |
| Q501    |          | *         | 2SC5343SG      | TRANSISTOR,BIP |              |          |
| Q600    |          |           | 2SA1037K       | TRANSISTOR,BIP |              |          |
| Q600    |          | *         | 2SA1980SY      | TRANSISTOR,BIP |              |          |
| Q601    |          | *         | KRC103S        | TRANSISTOR     |              |          |
| Q601    |          | *         | MMUN2112LT1    | TRANSISTOR,BIP |              |          |
| Q601    |          | *         | SRA2203S       | TRANSISTOR,BIP |              |          |
| Q602    |          |           | KRC103S        | TRANSISTOR     |              |          |
| Q602    |          | *         | MMUN2112LT1    | TRANSISTOR,BIP |              |          |
| Q602    |          | *         | SRA2203S       | TRANSISTOR,BIP |              |          |
| Q603    |          | *         | BC846ALT1      | TRANSISTOR,BIP |              |          |
| Q603    |          | *         | KTC3875S-GR-T1 | TRANSISTOR     |              |          |
| Q603    |          | *         | 2SC5343SG      | TRANSISTOR,BIP |              |          |
| Q604    |          | *         | BC846ALT1      | TRANSISTOR,BIP |              |          |
| Q604    |          | *         | KTC3875S-GR-T1 | TRANSISTOR     |              |          |
| Q604    |          | *         | 2SC5343SG      | TRANSISTOR,BIP |              |          |
| Q605    |          | *         | BC846ALT1      | TRANSISTOR,BIP |              |          |
| Q605    |          | *         | KTC3875S-GR-T1 | TRANSISTOR     |              |          |
| Q605    |          | *         | 2SC5343SG      | TRANSISTOR,BIP |              |          |
| Q606    |          | *         | BC846ALT1      | TRANSISTOR,BIP |              |          |
| Q606    |          | *         | KTC3875S-GR-T1 | TRANSISTOR     |              |          |
| Q606    |          | *         | 2SC5343SG      | TRANSISTOR,BIP |              |          |
| Q901    |          |           | KRC103S        | TRANSISTOR     |              |          |
| RC901   |          | *         | W02-4555-08    | REMOTE CONTROL |              |          |
| ZD6A1,2 |          |           | MTZJ5.6B       | ZENER DIODE    |              | E        |
| ZD6A3,4 |          |           | MTZJ13B        | ZENER DIODE    |              | E        |
| ZD6A5,6 |          |           | MTZJ5.6B       | ZENER DIODE    |              | E        |

L : Scandinavia    K : USA    P : Canada    R : Mexico    C : China    I : Malaysia  
 Y : PX(Far East,Hawaii)    T : England    E : Europe    G : Germany    V : China(Shanghai)  
 Y : AAFES(Europe)    X : Australia    Q : Russia    H : Korea    M : Other Areas    Δ indicates safety critical components .

### HOW TO READ THE PARTS LIST ABBREVIATION OF MODEL AND MASS PRODUCTION'S DESTINATIONS

| MODEL      | ABB. | Australia | Canada | Europe | PX/AAFES | USA |
|------------|------|-----------|--------|--------|----------|-----|
| DVF-3080-S | 3    | X3        | P3     | E3     | Y3       | K3  |
| DVF-8100   | 8    | -         | P8     | E8     | -        | K8  |



# DVF-3080-S/8100

## SPECIFICATIONS

### [Type]

System ..... DVD video player  
Signal read system ..... Semiconductor laser

### [D/A Conversion Section]

D/A conversion ..... 24 Bit  
Oversampling ... 8 fs (Sampling frequency; 44.1, 48 kHz)  
..... 4 fs (Sampling frequency; 96 kHz)

### [Audio section]

Frequency response  
Sampling frequency ; 44.1 kHz ..... 8 Hz ~ 20 kHz  
Sampling frequency ; 48 kHz ..... 8 Hz ~ 22 kHz  
Sampling frequency ; 96 kHz ..... 8 Hz ~ 44 kHz  
Signal to noise ratio ..... More than 100 dB  
Dynamic range ..... More than 92 dB  
Total harmonic distortion ..... Less than 0.007 % (1 kHz)  
Channel separation ..... More than 90 dB (1 kHz)  
Wow and flutter ..... Below measurable limit  
Analog output level/impedance ..... 2 V / 550  $\Omega$   
Digital output level/impedance  
COAXIAL ..... 0.5 Vp-p / 75  $\Omega$   
OPTICAL (Only DVF-8100 for Europe)  
..... -21 dBm ~ -15 dBm (Wave length 660 nm)

### [Video Section]

Video output format ..... NTSC/PAL  
Video compression  
DVD ..... MPEG-2  
Composite video output level  
..... 1 Vp-p (75  $\Omega$  load, sync. negative)  
S-video output level (Except for Europe)  
(Y-signal) ..... 1 Vp-p (75  $\Omega$  load, sync. negative)  
(C-signal)  
NTSC ..... 0.286 Vp-p (75  $\Omega$ )  
PAL ..... 0.300 Vp-p (75  $\Omega$ )  
Component Video output level  
(Y-signal) ..... 1 Vp-p (75  $\Omega$ )  
(Cb-signal) ..... 0.7 Vp-p (75  $\Omega$ )  
(Cr-signal) ..... 0.7 Vp-p (75  $\Omega$ )  
RGB output level (SCART) (For Europe) ..... 0.7 Vp-p (75  $\Omega$ )  
Horizontal resolution ..... More than 500 lines  
Video signal to noise ratio ..... More than 70 dB

### [General]

Power consumption ..... 12 W  
Dimensions ..... W : 440 mm (17-5/16 )  
H : 44 mm (1-3/4 )  
D : 249 mm (9-13/16 )  
Weight (net)  
(DVF-3080) ..... 2.2 kg (4.9 lb)  
(DVF-8100) ..... 2.3 kg (5.1 lb)



**KENWOOD follows a policy of continuous advancements in development. For this reason specifications may be changed without notice.**

- Sufficient performance may not be exhibited at extremely cold locations (Where water freezes).